

Toggle clamps, steel, black, horizontal with horizontal foot and adjustable clamping spindle

Item description/product images



Description

Product description:

The black toggle clamps have been specially designed for optical metrology. The black surface prevents reflections when measuring and photographing.

Material:

Steel.

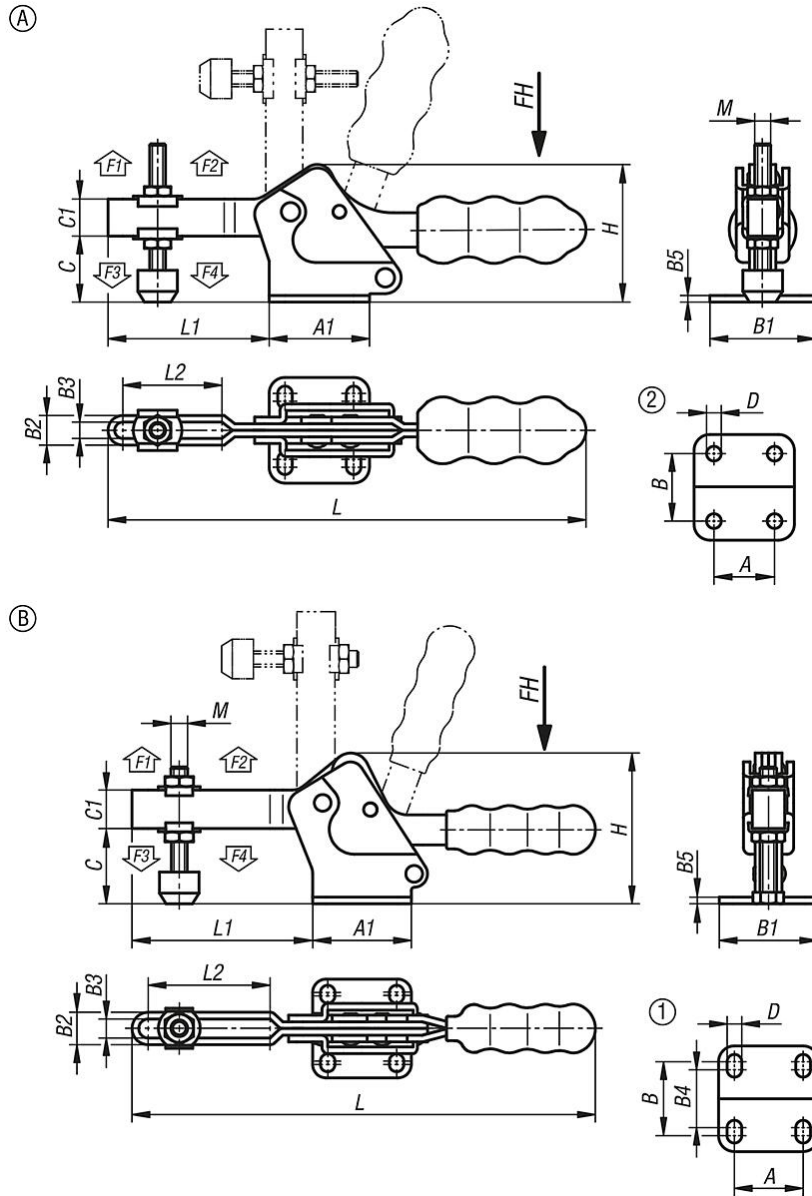
Version:

Black oxidised steel.

Plastic handle oil-resistant.

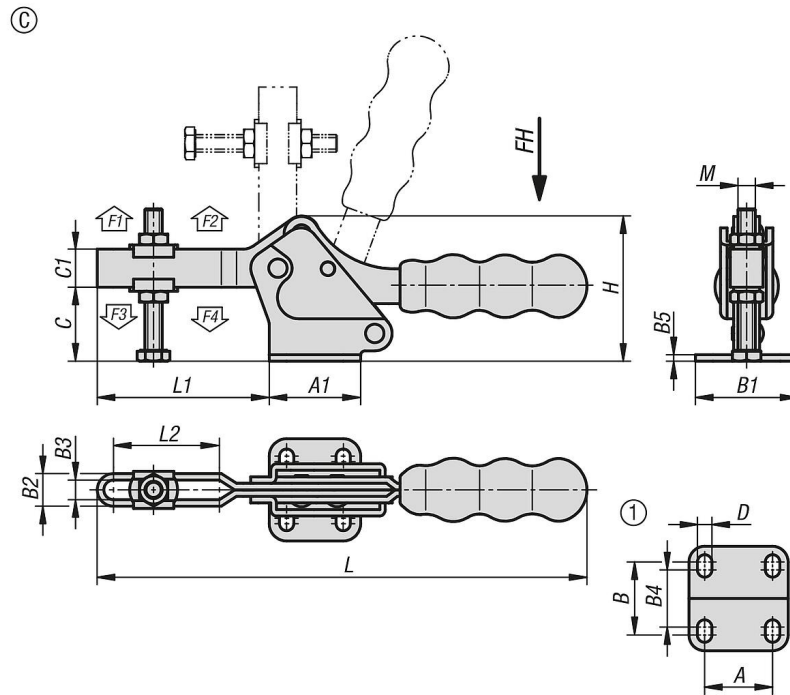
Toggle clamps, steel, black, horizontal with horizontal foot and adjustable clamping spindle

Drawings



Toggle clamps, steel, black, horizontal with horizontal foot and adjustable clamping spindle

Drawings



Overview of items

Toggle clamps, steel, black, horizontal with horizontal foot and adjustable clamping spindle

Order No.	Form	A	A1	B	B1	B2	B3	B4	B5	C	C1	D	H	Retaining force F1 N	Retaining force F2 N	Hand force FH N	L	L1	L2	hole arrangement
K2067.001000	A	13,5	25	16,8	27	9,3	5,3	-	2	19	9,5	5,2	38,5	500	1000	80	112	37	22,8	2
K2067.002500	B	26	38	28	40	11,2	6,2	22	2,5	25	14	5,5	52,1	1200	2500	150	174	61	37,5	1
K2067.003400	C	26	42	31	47	15	9	26	3	34	17,5	6,6	66,5	1400	3400	200	225	79	48,6	1

Order No.	M	Clamping force F3 N	Clamping force F4 N	Opening angle of handle	Opening angle of holding arm
K2067.001000	M5x40	250	500	78°	96°
K2067.002500	M6x50	400	1000	76°	93°
K2067.003400	M8x65	800	1900	72°	90°