

## Tube end plugs, plastic for round and square tubes

### Item description/product images



### Description

**Material:**  
Body polyethylene.

**Version:**  
Body black.

**Note:**  
\*The article exhibits longitudinal distortion due to the material behaviour and geometry - well suited for gliders and foot plugs.

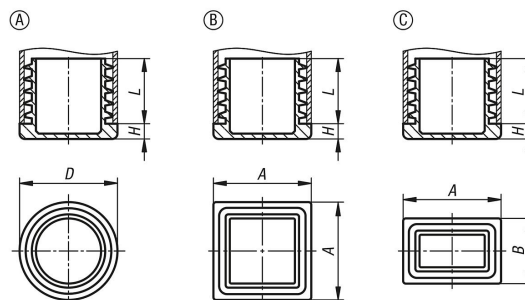
The lamellar are closed or interrupted. For technical production reasons, cast residues may exceed the shaft length.

The number of laminates per plug varies between 2 and 4.

**Application:**  
These plugs are for corner protection and plugging the tube ends.

**Assembly:**  
They can be pushed in by hand or tapped in with a plastic hammer.

### Drawings



### Overview of items

#### Tube end plugs, plastic for round and square tubes

Order No.	Form	Form definition	A	B	D	H	L	Suitable for
K0494.000100815	A	round	-	-	10	3,5	10	Ø10x0.8-1.5
K0494.000120820	A	round	-	-	12	3,5	10	Ø12x0.8-2
K0494.000130820	A	round	-	-	13	4	10,5	Ø13x0.8-2
K0494.000140820	A	round	-	-	14	5	11,5	Ø14x0.8-2
K0494.000150820	A	round	-	-	15	3	11,5	Ø15x0.8-2
K0494.000160820	A	round	-	-	16	5	11,5	Ø16x0.8-2
K0494.018150	A	round	-	-	18	5	11,5	Ø18x0.8-2
K0494.000182535	A	round	-	-	18	5	11,5	Ø18x2.5-3.5
K0494.000190825	A	round	-	-	19	5	11,5	Ø19x0.8-2.5
K0494.020200	A	round	-	-	20	5	11,5	Ø20x0.8-2.5
K0494.000210825	A	round	-	-	21	5	11,5	Ø21x0.8-2.5
K0494.000220830	A	round	-	-	22	5	11,5	Ø22x0.8-3
K0494.000230830	A	round	-	-	23	5	11,5	Ø23x0.8-3
K0494.000240825	A	round	-	-	24	5	11,5	Ø24x0.8-2.5
K0494.025200	A	round	-	-	25	5	11,5	Ø25x1-3
K0494.000253050	A	round	-	-	25	5	11,5	Ø25x3-5

## Tube end plugs, plastic for round and square tubes

### Overview of items

Order No.	Form	Form definition	A	B	D	H	L	Suitable for
K0494.000260830	A	round	-	-	26	5	11,5	Ø26x0.8-3
K0494.000270830	A	round	-	-	27	5	11,5	Ø27x0.8-3
K0494.000280825	A	round	-	-	28	5	11,5	Ø28x0.8-2.5
K0494.030200	A	round	-	-	30	5	11,5	Ø30x0.8-2,5
K0494.000302545	A	round	-	-	30	5	11,5	Ø30x2.5-4.5
K0494.000320830	A	round	-	-	32	5	11,5	Ø32x0.8-3
K0494.000322545	A	round	-	-	32	5	11,5	Ø32x2.5-4.5
K0494.000340830	A	round	-	-	34	5	11,5	Ø34x0.8-3
K0494.000343540	A	round	-	-	34	5	11,5	Ø34x3.5-4
K0494.000351030	A	round	-	-	35	5	11,5	Ø35x1-3
K0494.000353050	A	round	-	-	35	5	11,5	Ø35x3-5
K0494.000361030	A	round	-	-	36	5	11,5	Ø36x1-3
K0494.000371030	A	round	-	-	37	5	11,5	Ø37x1-3
K0494.000381030	A	round	-	-	38	5	11,5	Ø38x1-3
K0494.000383050	A	round	-	-	38	5	11,5	Ø38x3-5
K0494.040300	A	round	-	-	40	5	11,5	Ø40x1-3
K0494.040400	A	round	-	-	40	5	11,5	Ø40x3-5
K0494.000420825	A	round	-	-	42	5	11,5	Ø42x0.8-2.5
K0494.000422550	A	round	-	-	42	5	11,5	Ø42x2.5-5
K0494.000432025	A	round	-	-	43	5	11,5	Ø43x2-2.5
K0494.000433035	A	round	-	-	43	5	11,5	Ø43x3-3.5
K0494.000441232	A	round	-	-	44,5	5	11,5	Ø44.5x1.2-3.2
K0494.000450830	A	round	-	-	45	5	11,5	Ø45x0.8-3
K0494.000453050	A	round	-	-	45	5	11,5	Ø45x3-5
K0494.000461535	A	round	-	-	46	5	11,5	Ø46x1.5-3.5
K0494.000481236	A	round	-	-	48,4	6	11,5	Ø48.4x1.2-3.6
K0494.000482552	A	round	-	-	48,4	6	11,5	Ø48.4x2.5-5.2
K0494.000501025	A	round	-	-	50	5	11,5	Ø50x1-2.5
K0494.050400	A	round	-	-	50	5	11,5	Ø50x2,5-4,5
K0494.000521535	A	round	-	-	52	5	14,5	Ø52x1.5-3.5
K0494.000551030	A	round	-	-	55	5	14,5	Ø55x1-3
K0494.000553050	A	round	-	-	55	5	14,5	Ø55x3-5
K0494.000601030	A	round	-	-	60	5	18	Ø60x1-3
K0494.000603050	A	round	-	-	60	5	18	Ø60x3-5
K0494.000631535	A	round	-	-	63,5	5	21	Ø63.5x1.5-3.5
K0494.000651535	A	round	-	-	65	5	21	Ø65x1.5-3.5
K0494.000653050	A	round	-	-	65	5	21	Ø65x3-5
K0494.000701035	A	round	-	-	70	5	21	Ø70x1-3.5
K0494.000751035	A	round	-	-	75	6	21	Ø75x1-3.5
K0494.000753050	A	round	-	-	75	6	21	Ø75x3-5
K0494.000761540	A	round	-	-	76,2	6	21	Ø76.2x1.5-4
K0494.000803055	A	round	-	-	80	6	21	Ø80x3-5.5
K0494.000851540	A	round	-	-	85	6	21	Ø85x1.5-4
K0494.000891840	A	round	-	-	88,9	6	21	Ø88.9x1.8-4
K0494.000901540	A	round	-	-	90	6	21	Ø90x1.5-4
K0494.000951540	A	round	-	-	95	6	21	Ø95x1.5-4
K0494.001001540	A	round	-	-	100	6	28	Ø100x1.5-4
K0494.413130520	B	square	13	-	-	4	11,5	13x13x0.5-2
K0494.415150820	B	square	15	-	-	3	11,5	15x15x0.8-2
K0494.416160820	B	square	16	-	-	5	11,5	16x16x0.8-2
K0494.418181530	B	square	18	-	-	5	11,5	18x18x1.5-3
K0494.420100	B	square	20	-	-	5	11,5	20 x 20 x 0.8-3
K0494.422220830	B	square	22	-	-	5	11,5	22x22x0.8-3
K0494.425150	B	square	25	-	-	5	11,5	25 x 25 x 1-3
K0494.428281030	B	square	28	-	-	5	11,5	28x28x1-3
K0494.430200	B	square	30	-	-	5	11,5	30 x 30 x 1-2,5
K0494.430302550	B	square	30	-	-	5	11,5	30x30x2.5-5
K0494.432321035	B	square	32	-	-	5	11,5	32x32x1-3.5
K0494.434341030	B	square	34	-	-	5	14,5	34x34x1-3
K0494.435350830	B	square	35	-	-	5	14,5	35x35x0.8-3
K0494.438381035	B	square	38	-	-	5	14,5	38x38x1-3.5
K0494.440300	B	square	40	-	-	5	11,5	40 x 40 x 1-3

## Tube end plugs, plastic for round and square tubes

### Overview of items

Order No.	Form	Form definition	A	B	D	H	L	Suitable for
K0494.440400	B	square	40	-	-	5	11,5	40 x 40 x 3-5
K0494.445451030	B	square	45	-	-	5	14,5	45x45x1-3
K0494.445453050	B	square	45	-	-	5	14,5	45x45x3-5
K0494.448482545	B	square	48	-	-	5	14,5	48x48x2.5-4.5
K0494.450500830	B	square	50	-	-	5	14,5	50x50x0.8-3
K0494.450503050	B	square	50	-	-	5	14,5	50x50x3-5
K0494.452521535	B	square	52	-	-	5	14,5	52x52x1.5-3.5
K0494.455552045	B	square	55	-	-	5	14,5	55x55x2-4.5
K0494.460601540	B	square	60	-	-	5	21	60x60x1.5-4
K0494.465652045	B	square	65	-	-	5	21	65x65x2-4.5
K0494.470702045	B	square	70	-	-	5	18,7	70x70x2-4.5
K0494.475752045	B	square	75	-	-	6	21	75x75x2-4.5
K0494.480802045	B	square	80	-	-	6	21	80x80x2-4.5
K0494.490903050	B	square	90	-	-	6	21	90x90x3-5
K0494.495953555	B	square	95	-	-	6	21	95x95x3.5-5.5
K0494.400001040	B	square	100	-	-	7	24	100x100x1-4
K0494.220100820	C	rectangular	20	10	-	3	11,5	20x10x0.8-2
K0494.220151020	C	rectangular	20	15	-	5	11,5	20x15x1-2
K0494.225100820	C	rectangular	25	10	-	3	11,5	25x10x0.8-2
K0494.225150825	C	rectangular	25	15	-	5	11,5	25x15x0.8-2.5
K0494.225201030	C	rectangular	25	20	-	5	11,5	25x20x1-3
K0494.230100820	C	rectangular	30	10	-	3	11,5	30x10x0.8-2
K0494.230150825	C	rectangular	30	15	-	5	11,5	30x15x0.8-2.5
K0494.230201030	C	rectangular	30	20	-	5	11,5	30x20x1-3
K0494.230250830	C	rectangular	30	25	-	5	11,5	30x25x0.8-3
K0494.235100820	C	rectangular	35	10	-	3,5	11,5	35x10x0.8-2
K0494.235151030	C	rectangular	35	15	-	5	11,5	35x15x1-3
K0494.235200830	C	rectangular	35	20	-	5	11,5	35x20x0.8-3
K0494.235250830	C	rectangular	35	25	-	5	11,5	35x25x0.8-3
K0494.240151020	C	rectangular	40	15	-	5	11,7	40x15x1-2
K0494.240200830	C	rectangular	40	20	-	5	11,5	40x20x0.8-3
K0494.240251035	C	rectangular	40	25	-	5	11,5	40x25x1-3.5
K0494.240301030	C	rectangular	40	30	-	5	11,5	40x30x1-3
K0494.240351030	C	rectangular	40	35	-	5	11,5	40x35x1-3
K0494.245201030	C	rectangular	45	20	-	5	11,5	45x20x1-3
K0494.245250830	C	rectangular	45	25	-	5	11,5	45x25x0.8-3
K0494.245300830	C	rectangular	45	30	-	5	11,5	45x30x0.8-3
K0494.245351035	C	rectangular	45	35	-	5	11,5	45x35x1-3.5
K0494.250100820	C	rectangular	50	10	-	3,5	11,5	50x10x0.8-2
K0494.250200830	C	rectangular	50	20	-	5	14,5	50x20x0.8-3
K0494.250250830	C	rectangular	50	25	-	5	14,5	50x25x0.8-3
K0494.250301030	C	rectangular	50	30	-	5	14,5	50x30x1-3
K0494.250351035	C	rectangular	50	35	-	5	14,5	50x35x1-3.5
K0494.250400830	C	rectangular	50	40	-	5	14,5	50x40x0.8-3
K0494.255401540	C	rectangular	55	40	-	5	14,5	55x40x1.5-4
K0494.260151020	C	rectangular	60	15	-	5	14,5	60x15x1-2
K0494.260201030	C	rectangular	60	20	-	5	14,5	60x20x1-3
K0494.260250830	C	rectangular	60	25	-	5	14,5	60x25x0.8-3
K0494.260301030	C	rectangular	60	30	-	5	14,5	60x30x1-3
K0494.260351535	C	rectangular	60	35	-	5	14,5	60x35x1.5-3.5
K0494.260401030	C	rectangular	60	40	-	5	14,5	60x40x1-3
K0494.260451540	C	rectangular	60	45	-	5	14,5	60x45x1.5-4
K0494.260501535	C	rectangular	60	50	-	5	14,5	60x50x1.5-3.5
K0494.270301030	C	rectangular	70	30	-	5	14,5	70x30x1-3
K0494.270351535	C	rectangular	70	35	-	5	14,5	70x35x1.5-3.5
K0494.270401030	C	rectangular	70	40	-	5	14,5	70x40x1-3
K0494.270502040	C	rectangular	70	50	-	5	14,5	70x50x2-4
K0494.275251025	C	rectangular	75	25	-	5	14,5	75x25x1-2.5
K0494.275500825	C	rectangular	75	50	-	5	14,5	75x50x0.8-2.5
K0494.280251030	C	rectangular	80	25	-	5	14,5	*80x25x1-3
K0494.280301025	C	rectangular	80	30	-	5	14,5	*80x30x1-2.5
K0494.280401030	C	rectangular	80	40	-	5	14,5	80x40x1-3

## Tube end plugs, plastic for round and square tubes

### Overview of items

Order No.	Form	Form definition	A	B	D	H	L	Suitable for
K0494.280451535	C	rectangular	80	45	-	5	14,5	80x45x1.5-3.5
K0494.280501535	C	rectangular	80	50	-	5	21,5	80x50x1.5-3.5
K0494.280601545	C	rectangular	80	60	-	5	24	80x60x1.5-4.5
K0494.290402040	C	rectangular	90	40	-	5	14,5	*90x40x2-4
K0494.290502045	C	rectangular	90	50	-	5	21,5	90x50x2-4.5
K0494.290703055	C	rectangular	90	70	-	6	21,5	90x70x3-5.5
K0494.200301535	C	rectangular	100	30	-	5	14,5	*100x30x1.5-3.5
K0494.200401535	C	rectangular	100	40	-	5	14,5	*100x40x1.5-3.5
K0494.200501545	C	rectangular	100	50	-	5	24	100x50x1.5-4.5
K0494.200602545	C	rectangular	100	60	-	6	24,5	100x60x2.5-4.5
K0494.200803055	C	rectangular	100	80	-	6	24	100x80x3-5.5