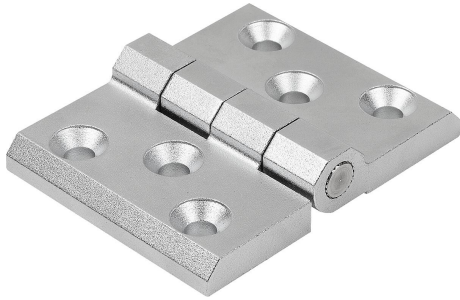


Hinges die-cast zinc, Form B

Item description/product images



Description

Material:

Hinges die-cast zinc.
Pin stainless steel.

Version:

Hinges abrasive blasted, chrome plated or black.
Pins bright.

Note:

Hinges for inset doors.
The hinges can be mounted right or left.

*There are holes on the underside at these points, these can be drilled out if necessary.

The loading values given for the hinges are non-binding reference values without consideration of safety factors and exclude any liability. The values given are for information purposes only and do not constitute a legally binding assurance of properties.

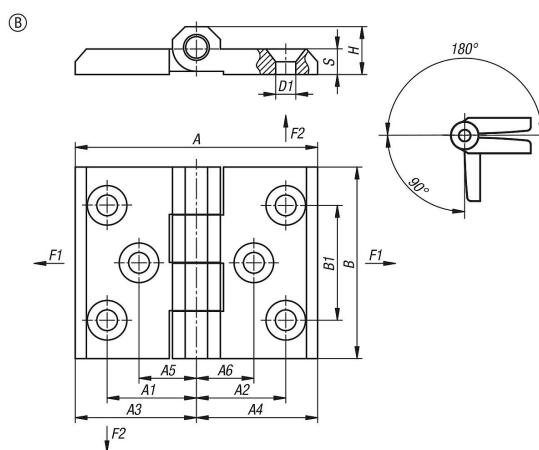
The load values have been determined under laboratory conditions. Each user must determine individually whether the hinge is suitable for the respective application.

Different materials onto which the hinges are installed and the type of mounting, weather conditions and wear can influence the determined values.

Accessory:

Countersunk screws with hex socket DIN EN ISO 10642 (K0708).

Drawings



Overview of items

Order No.	Form	Main colour	A	A1	A2	A3	A4	A5	A6	B	B1	D1	H	Opening angle	S	F1 N	F2 N
K1897.0607606012	B	chromed	76	28	28	38	38	18	18	60	36	6,5	15	270°	8	4500	4500
K1897.0607606022	B	black	76	28	28	38	38	18	18	60	36	6,5	15	270°	8	4500	4500

