

Hinges die-cast zinc

Item description/product images



Description

Material:

Hinges die-cast zinc.
Pin stainless steel.

Version:

Hinges abrasive blasted, chrome plated or black.
Pins bright.

Note:

Hinges for inset doors.
The hinges can be mounted right or left.

*There are holes on the underside at these points, these can be drilled out if necessary.

The loading values given for the hinges are non-binding reference values without consideration of safety factors and exclude any liability. The values given are for information purposes only and do not constitute a legally binding assurance of properties.

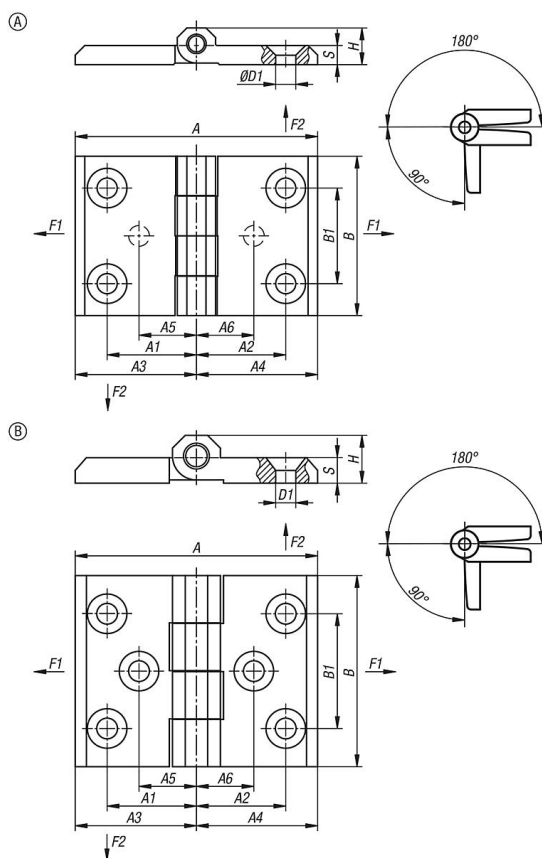
The load values have been determined under laboratory conditions. Each user must determine individually whether the hinge is suitable for the respective application.

Different materials onto which the hinges are installed and the type of mounting, weather conditions and wear can influence the determined values.

Accessory:

Countersunk screws with hex socket DIN EN ISO 10642 (K0708).

Drawings



Overview of items

Hinges die-cast zinc

Order No.	Form	Main colour	A	A1	A2	A3	A4	A5	A6	B	B1	D1	H	Opening angle	S	F1 N	F2 N
K1897.0504004011	A	chromed	40	12,5	12,5	20	20	-	-	40	25	5,3	9	180°	5	3650	2000
K1897.0504004021	A	black	40	12,5	12,5	20	20	-	-	40	25	5,3	9	180°	5	3650	2000
K1897.0605005011	A	chromed	50	15	15	25	25	-	-	50	30	6,3	11,5	180°	6	3650	2000
K1897.0605005021	A	black	50	15	15	25	25	-	-	50	30	6,3	11,5	180°	6	3650	2000
K1897.0607605011	A	chromed	76	28	28	38	38	-	-	50	30	6,5	11,5	270°	6	3650	900
K1897.0607605021	A	black	76	28	28	38	38	-	-	50	30	6,5	11,5	270°	6	3650	900
K1897.0606305011	A	chromed	63	15	28	25	38	-	-	50	30	6,5	11,5	270°	6	4400	850
K1897.0606305021	A	black	63	15	28	25	38	-	-	50	30	6,5	11,5	270°	6	4400	850
K1897.0806006011	A	chromed	60	18	18	30	30	-	-	60	36	8,4	15	180°	8	4500	4500
K1897.0806006021	A	black	60	18	18	30	30	-	-	60	36	8,4	15	180°	8	4500	4500
K1897.0607606021	A	black	76	28	28	38	38	-	-	60	36	6,5	15	270°	8	3650	2000
K1897.0809006011	A	chromed	90	18	45	30	60	-	23*	60	36	8,4	15	270°	8	5500	2500
K1897.0809006021	A	black	90	18	45	30	60	-	23*	60	36	8,4	15	270°	8	5500	2500
K1897.0812006011	A	chromed	120	45	45	60	60	23*	23*	60	36	8,4	15	270°	8	5500	1300
K1897.0812006021	A	black	120	45	45	60	60	23*	23*	60	36	8,4	15	270°	8	5500	1300
K1897.0607606012	B	chromed	76	28	28	38	38	18	18	60	36	6,5	15	270°	8	4500	4500
K1897.0607606022	B	black	76	28	28	38	38	18	18	60	36	6,5	15	270°	8	4500	4500

