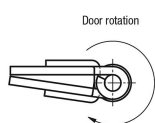


Spring hinges aluminium profile, 3.8 Nm

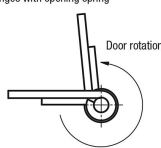
Item description/product images



Hinges with closing spring



Hinges with opening spring



Description

Material:

Aluminium 6060 T5.
End caps PA 6.6.
Washers POM.

Version:

Black anodised.
Colourless anodised.

Note:

The hinges are fitted with an integrated steel tension spring. This enables automatic opening and closing of doors and hatches.

Due to the same dimensions and appearance, the free-swinging hinges can be combined with the hinges with springs.

Opening angle 270°.

Opening spring torque:

$M(0^\circ) : 3.8 \text{ Nm} / M(90^\circ) : 3.1 \text{ Nm} / M(180^\circ) : 2.4 \text{ Nm}$

Closing spring torque:

$M(0^\circ) : 2.2 \text{ Nm} / M(90^\circ) : 2.9 \text{ Nm} / M(180^\circ) : 3.5 \text{ Nm}$

Fastened using DIN 912/ DIN EN ISO 4762 cap screws.

The loading values given for the hinges are non-binding reference values without consideration of safety factors and exclude any liability. The values given are for information purposes only and do not constitute a legally binding assurance of properties.

These load values were determined under laboratory conditions. Each user must determine individually whether the hinge is suitable for the respective application. Different materials onto which the hinges are installed and the type of mounting, weather conditions and wear can influence the determined values.

Temperature range:

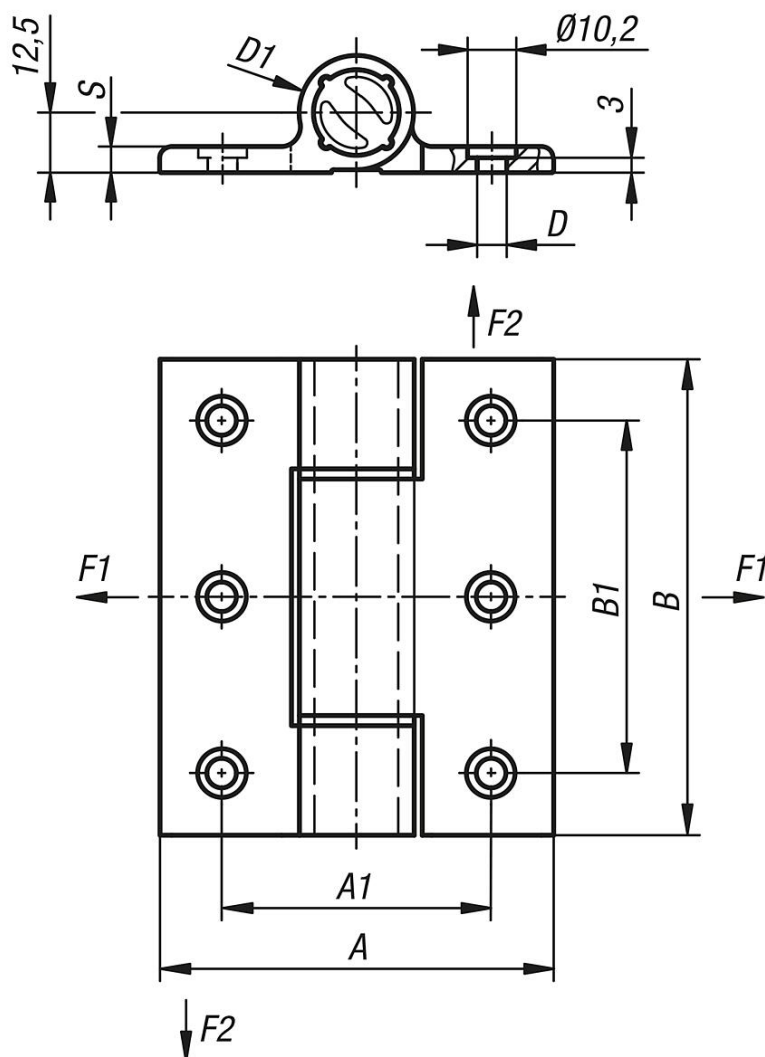
From -20°C to +80°C

Accessory:

Socket head screws with hexagon socket DIN 912/EN ISO 4762.

Spring hinges aluminium profile, 3.8 Nm

Drawings



Overview of items

Spring hinges aluminium profile, 3.8 Nm

Order No.	Version 1	Main colour	Surface finish body	A	A1	B	B1	D	D1	S	F1 N	F2 N	Kind of fastening
K1182.8210001	spring open	black	anodised	82,5	56,5	100	74	6,2	24	5,5	9000	11900	fastening holes
K1182.821000	spring open	colourless	anodised	82,5	56,5	100	74	6,2	24	5,5	9000	11900	fastening holes
K1182.8210011	spring closed	black	anodised	82,5	56,5	100	74	6,2	24	5,5	9000	11900	fastening holes
K1182.821001	spring closed	colourless	anodised	82,5	56,5	100	74	6,2	24	5,5	9000	11900	fastening holes
K1182.821002	-	colourless	anodised	82,5	56,5	100	74	6,2	24	5,5	9190	14080	fastening holes
K1182.8210021	-	black	anodised	82,5	56,5	100	74	6,2	24	5,5	9190	14080	fastening holes