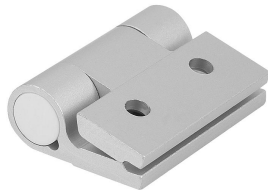


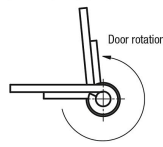
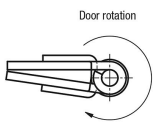
## Spring hinges aluminium profile, 0.2 Nm

### Item description/product images



Hinges with closing spring

Hinges with opening spring



### Description

#### Material:

Aluminium 6060 T5.

Cover plug PA 6.6.

#### Version:

Black anodised.

Colourless anodised.

#### Note:

The hinges are fitted with an integrated steel tension spring. This enables automatic opening and closing of doors and hatches.

Due to the same dimensions and appearance, the free-swinging hinges can be combined with the hinges with springs.

The opening angle here is 270°.

The opening angle for the hinges with integrated spring is 180°.

#### Opening spring torque:

$M(0^\circ) : 0.23 \text{ Nm} / M(90^\circ) : 0.15 \text{ Nm} / M(180^\circ) : 0.08 \text{ Nm}$

#### Closing spring torque:

$M(0^\circ) : 0.08 \text{ Nm} / M(90^\circ) : 0.15 \text{ Nm} / M(180^\circ) : 0.23 \text{ Nm}$

Fastened using DIN 7991 countersunk screws.

The loading values given for the hinges are non-binding reference values without consideration of safety factors and exclude any liability. The values given are for information purposes only and do not constitute a legally binding assurance of properties.

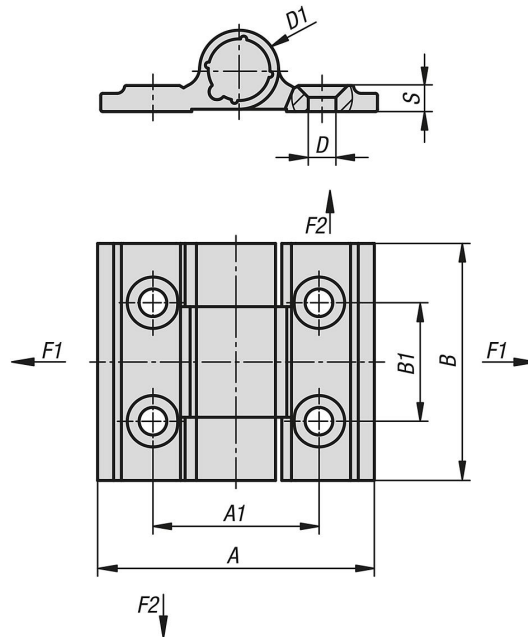
These load values were determined under laboratory conditions. Each user must determine individually whether the hinge is suitable for the respective application. Different materials onto which the hinges are installed and the type of mounting, weather conditions and wear can influence the determined values.

#### Temperature range:

From -20°C to +80°C

## Spring hinges aluminium profile, 0.2 Nm

### Drawings



### Overview of items

#### Spring hinges aluminium profile, 0.2 Nm

Order No.	Version 1	Main colour	Surface finish body	A	A1	B	B1	D	D1	S	F1 N	F2 N	Kind of fastening
K1178.353001	spring open	black	anodised	35	21	30	15	3,5	10	3,3	1210	1310	fastening holes
K1178.35300	spring open	colourless	anodised	35	21	30	15	3,5	10	3,5	1210	1310	fastening holes
K1178.353011	spring closed	black	anodised	35	21	30	15	3,5	10	3,3	1210	1310	fastening holes
K1178.35301	spring closed	colourless	anodised	35	21	30	15	3,5	10	3,5	1210	1310	fastening holes
K1178.35302	without spring	colourless	anodised	35	21	30	15	3,5	10	3,3	1210	1310	fastening holes
K1178.353021	without spring	black	anodised	35	21	30	15	3,5	10	3,3	1210	1310	fastening holes