

Studs

Item description/product images



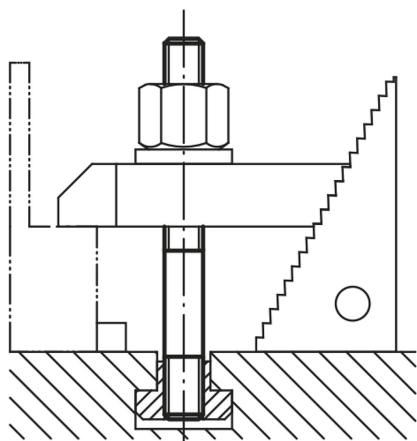
Description

Material:
Carbon steel 1.1181.

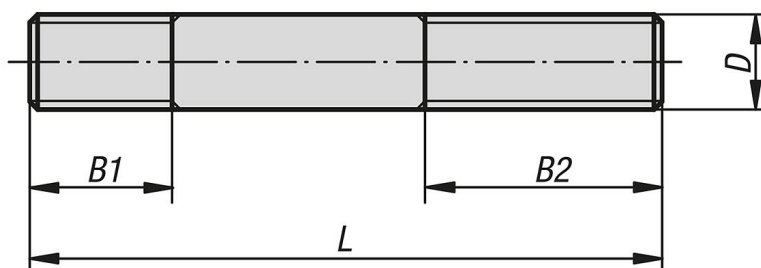
Version:
Tempered to 8.8 and black oxidised.

Note:
Permissible loading see Technical Information.
Thread end with oval point is permissible.

On request:
Stainless steel.



Drawings



Overview of items

Studs

Order No.	D	L	B1	B2
K1910.105	M5	20	7	10
K1910.205	M5	30	7	10
K1910.106	M6	25	10	12
K1910.206	M6	35	10	12
K1910.306	M6	45	10	12
K1910.406	M6	60	10	12
K1910.108	M8	40	12	25
K1910.208	M8	50	12	25
K1910.308	M8	70	12	25
K1910.408	M8	80	12	25
K1910.110	M10	50	15	30
K1910.210	M10	67	15	30
K1910.310	M10	80	15	30
K1910.410	M10	100	15	30
K1910.112	M12	56	18	30
K1910.212	M12	67	18	30
K1910.312	M12	80	18	30
K1910.412	M12	100	18	30

Studs

Overview of items

Order No.	D	L	B1	B2
K1910.512	M12	125	18	30
K1910.114	M14	60	20	30
K1910.214	M14	80	20	30
K1910.314	M14	100	20	30
K1910.414	M14	125	20	30
K1910.514	M14	150	20	30
K1910.116	M16	75	25	30
K1910.216	M16	100	25	30
K1910.316	M16	125	25	30
K1910.416	M16	150	25	30
K1910.120	M20	100	30	40
K1910.220	M20	125	30	40
K1910.320	M20	150	30	40
K1910.420	M20	180	30	40