

## Screw rest with flat face, stainless steel

### Item description/product images



### Description

**Material:**

Stainless steel 1.4305.

**Version:**

Self-locking trapezoidal thread, spindle has end lock.

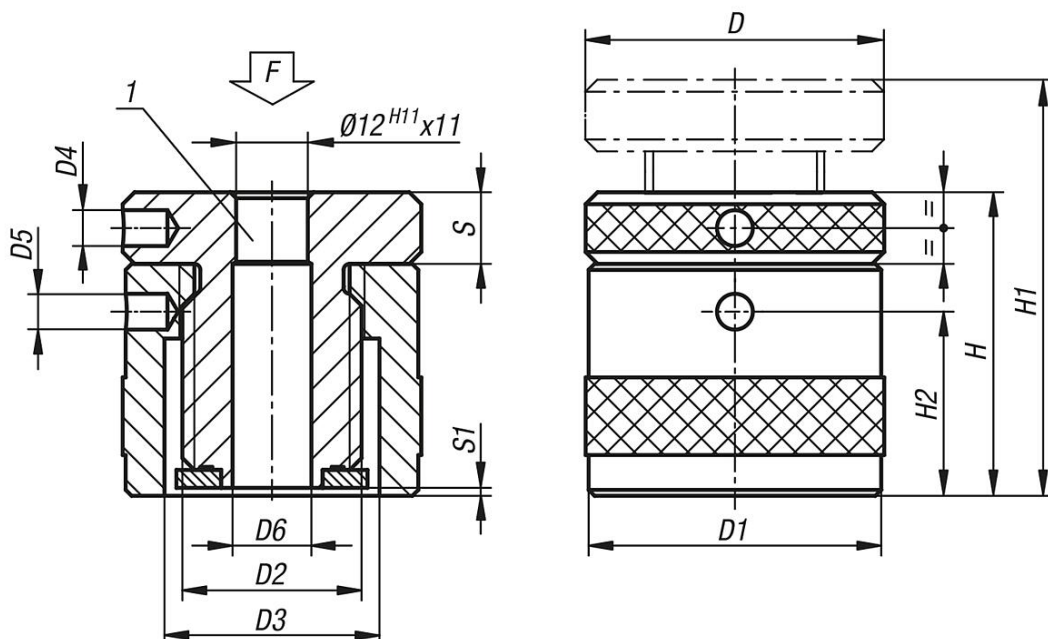
**Note:**

The through hole allows easy clamping and positioning of the workpiece.

**Drawing reference:**

1) centring hole for K1961

### Drawings



### Overview of items

## Screw rest with flat face, stainless steel

### Overview of items

#### Screw jack with flat face, stainless steel

Order No.	D	D1	D2	D3	D4	D5	D6	H	H1	H2	S	S1	F max. kN
K1942.015	50	49	Tr 30X4	36	6	6	13	42	52	24	12	2	50
K1942.02	50	49	Tr 30X4	36	6	6	13	50	72	30	12	0,5	50
K1942.03	50	49	Tr 30X4	36	6	6	13	71	102	43	16	1,5	50