

## Clamping arm for swing clamp

### Item description/product images



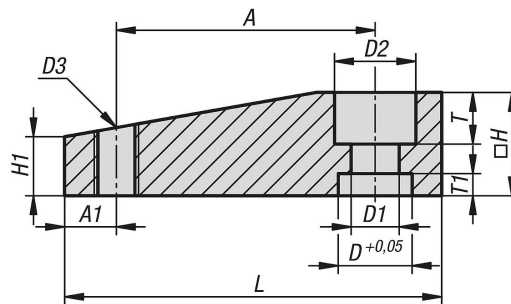
### Description

**Material:**  
Carbon steel.

**Version:**  
Black anodised.

**Note:**  
Suitable for pneumatic swing clamp K1812, in the respective sizes.

### Drawings



### Overview of items

#### Clamping arm for swing clamp

| Order No.  | Size  | A  | A1 | D  | D1   | D2 | D3       | H  | H1  | L  | T  | T1  |
|------------|-------|----|----|----|------|----|----------|----|-----|----|----|-----|
| K1813.12   | 12    | 20 | 4  | 5  | 3,5  | 6  | M3x0,5   | 8  | 6,5 | 29 | 4  | 2,5 |
| K1813.16   | 16    | 25 | 5  | 7  | 5,5  | 9  | M04x0,7  | 13 | 6,5 | 36 | 5  | 2,5 |
| K1813.2025 | 20/25 | 35 | 7  | 10 | 8,5  | 14 | M06x1    | 16 | 8   | 51 | 7  | 3   |
| K1813.3240 | 32/40 | 45 | 10 | 14 | 10,5 | 17 | M08x1,25 | 22 | 9   | 67 | 9  | 4,5 |
| K1813.50   | 50    | 65 | 10 | 17 | 12,5 | 21 | M10x1,5  | 25 | 13  | 88 | 13 | 4,5 |