

Swivel castors

Item description/product images



Description

Material:

Housing, steel plate.

Wheel tyre, high-quality elastic solid rubber.

Wheel rim, high-quality unbreakable polyamide or die-cast aluminium.

Version:

Housing, press-formed.

Swivel housing, double-row ball bearings in a swivel head.

Ball bearing wheel axle bearings.

Note:

Wheel axle bolted.

Swivel and fixed castors with mounting plate.

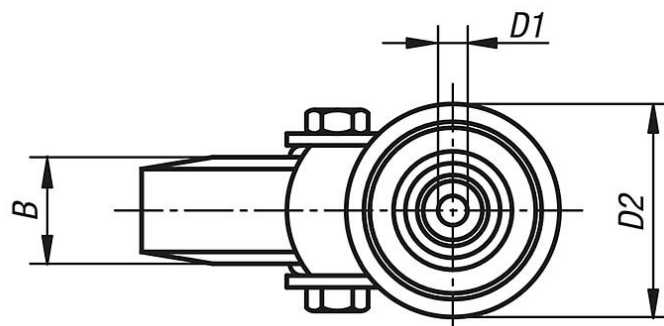
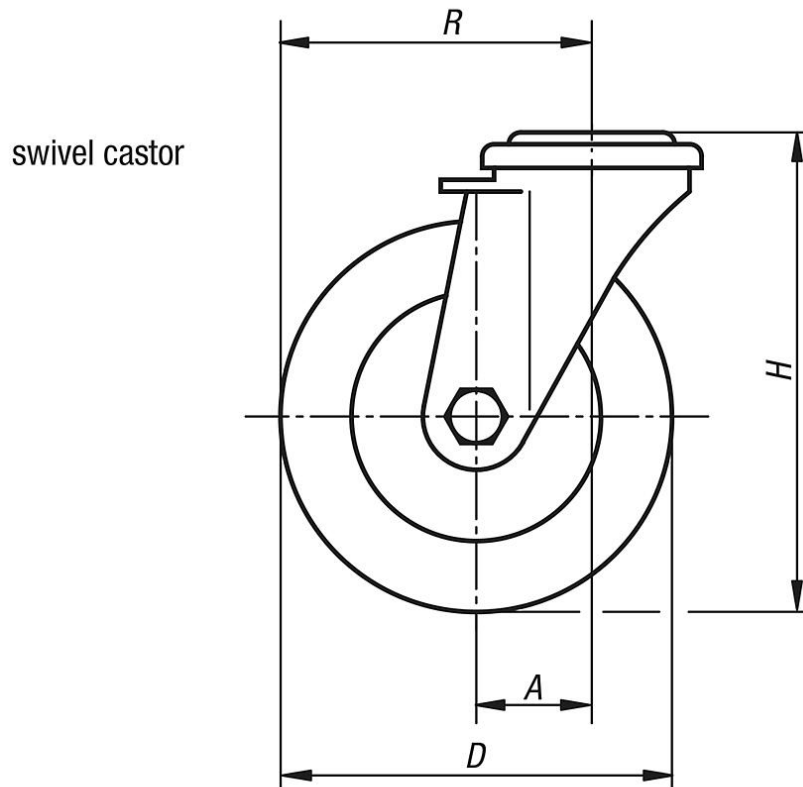
Application:

Maximum travel comfort, excellent cushioning of the transported goods. The new soft rubber series brings noticeable noise reduction in all applications.

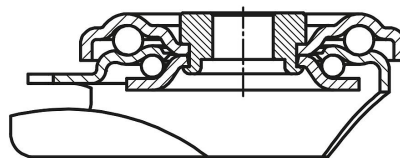
Temperature range:

-25 °C to +80 °C.

Drawings



swivel head bearing:



Overview of items

| Order No. | Item | Wheel bearing | A | B | D | D1 | D2 | H | R | Permissible load kg |
|----------------|---------------|---------------|----|----|-----|----|----|-----|-------|---------------------|
| K1789.10100040 | Swivel castor | ball bearing | 36 | 40 | 100 | 13 | 70 | 125 | 86 | 150 |
| K1789.10125040 | Swivel castor | ball bearing | 40 | 40 | 125 | 13 | 70 | 150 | 102,5 | 150 |

