

# Swivel castors with "stop-top"

## Item description/product images



### Description

**Material:**

Housing thick steel plate.  
 Tyres steel-wire reinforced elastic solid rubber.  
 Wheel body welded steel.

**Version:**

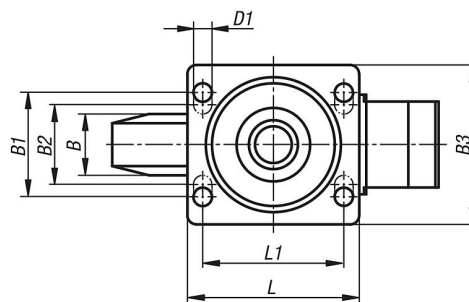
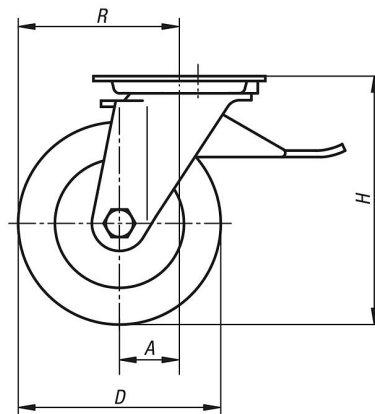
Housing pressed. Reinforced forks, base plates and swivel head bolts. Wheels with precision ball bearing.

**Note:**

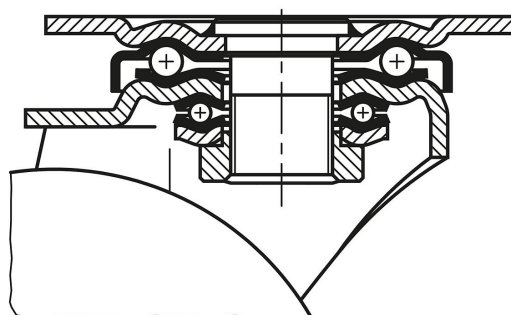
These castors are particularly impact and shock proof and assure a high service life. Wheel axle bolted.

## Drawings

swivel castor with "stop-top"



swivel head bearing



## Swivel castors with "stop-top"

### Overview of items

Order No.	Item	Version 1	Wheel bearing	A	B	B1	B2	B3	D	D1	H	L	L1	R	Permissible load kg
<b>K1763.100402</b>	Swivel castor	with stop-top locking system	ball bearing	45	40	60	-	85	100	9	140	100	80	95	180
<b>K1763.125502</b>	Swivel castor	with stop-top locking system	ball bearing	55	50	80	75	110	125	11	170	140	105	117,5	280
<b>K1763.160502</b>	Swivel castor	with stop-top locking system	ball bearing	65	50	80	75	110	160	11	202	140	105	145	400
<b>K1763.200502</b>	Swivel castor	with stop-top locking system	ball bearing	70	50	80	75	110	200	11	245	140	105	170	500
<b>K1763.250602</b>	Swivel castor	with stop-top locking system	ball bearing	82	60	80	75	110	250	11	295	140	105	207	700