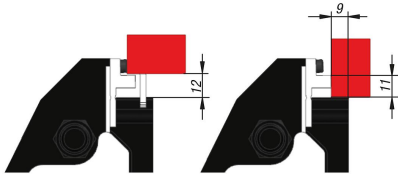


Combination jaw plates smooth and with pins

Item description/product images



Description

Product description:

The combination jaw plates are used for positive clamping without pre-machining, e.g. for blanks, heavy duty cutting, castings etc. and for pull-down clamping of pre-machined and ground workpiece surfaces.

Material:

Steel.

Version:

Jaw plates hardened, bright.
Jaw pins hardened, black oxidised.
Clamping surface carbide coated.
Laser marked scale.

Note:

When using the combi smooth / with pins jaw plates for clamping, the workpiece must be placed on a seating ledge with a height of 12 mm near to the clamping pins.

Accessory:

Torx screws M6x10

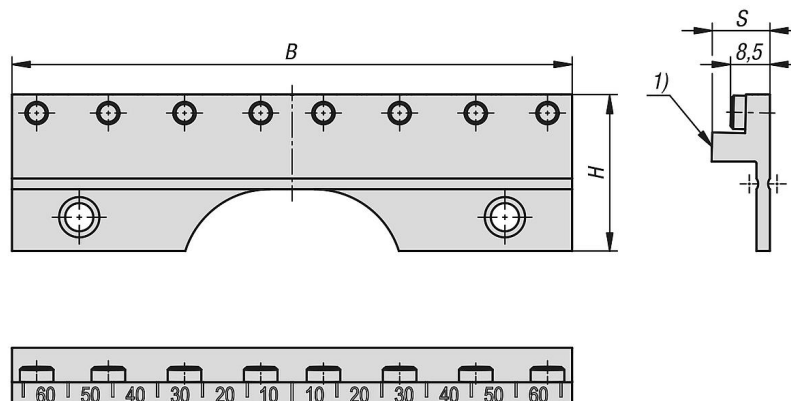
Applications:

Positive clamping without pre-machining.
Pre-machined and ground workpiece surfaces.

Drawing reference:

1) Clamping surface carbide coated

Drawings



Overview of items

Combination jaw plates, smooth and with pins

Order No.	B	H	S	No. of pins
K1557.0902	90	35	13	6
K1557.1252	125	35	13	8

