

Knurled nuts plastic

Item description/product images



Description

Material:

Body reinforced polyamide thermoplastic, black grey.
Tapped bush 5.8 steel or stainless steel 1.4305.

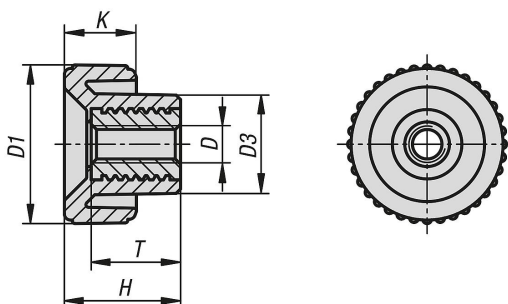
Version:

Tapped bush blue passivated steel or bright stainless steel.

Advantages:

The knurled nuts can be tightened or loosened without tools.
Suitable for manual fixating and clamping.
Various thread sizes.

Drawings



Overview of items

Knurled nuts plastic

Order No.	Component material	D	D1	D3	H	K	T
K1472.1804	steel	M4	18	11	13	8	10
K1472.2005	steel	M5	20	13,6	15	9	10
K1472.2006	steel	M6	20	13,6	15	9	10
K1472.2505	steel	M5	25	14	17	10	10
K1472.2506	steel	M6	25	14	17	10	10
K1472.3208	steel	M8	32	18	22	13	14
K1472.3210	steel	M10	32	18	22	13	14
K1472.4008	steel	M8	40	19	25	14	14
K1472.4010	steel	M10	40	19	25	14	14
K1472.18042	stainless steel	M4	18	11	13	8	10
K1472.20052	stainless steel	M5	20	13,6	15	9	10
K1472.20062	stainless steel	M6	20	13,6	15	9	10
K1472.25052	stainless steel	M5	25	14	17	10	10
K1472.25062	stainless steel	M6	25	14	17	10	10
K1472.32082	stainless steel	M8	32	18	22	13	14
K1472.32102	stainless steel	M10	32	18	22	13	14
K1472.40082	stainless steel	M8	40	19	25	14	14
K1472.40102	stainless steel	M10	40	19	25	14	14

