

Handwheels with fold-down grip - inch

Item description/product images

INCH
Parts

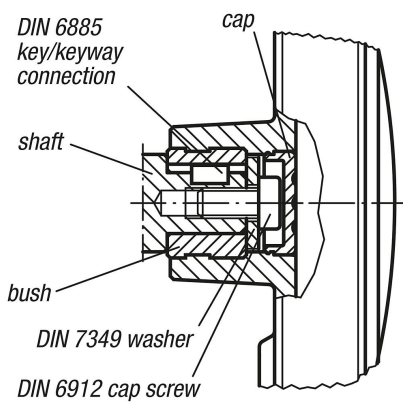


Description

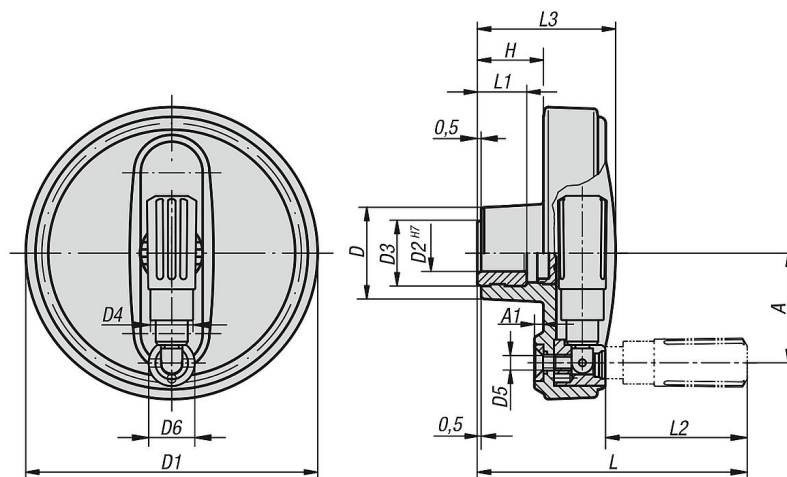
Material:
Black grey thermoplastic.

Version:
Steel parts black oxidised.

Note:
The hub cap is supplied loose.
The handwheels can be secured using a transverse pin or by parallel key connection together with a DIN 6912 socket head screw and a DIN 7349 washer.



Drawings



Overview of items

Handwheels with fold-down cylinder grip

Order No.	Version	D	D1	D2	D3	D4	D5	D6	A	A1	H	L	L1	L2	L3
K0258.1080CO	reamed hole	25	80	0,375	19	13	M4	13	30	2,5	17,5	75	13	40	37,5

Handwheels with fold-down grip - inch**Overview of items**

Order No.	Version	D	D1	D2	D3	D4	D5	D6	A	A1	H	L	L1	L2	L3
K0258.2100CO	reamed hole	28	100	0,375	19	16	M5	16	38	3	20	90	13	49	44
K0258.2100CP	reamed hole	28	100	0,5	19	16	M5	16	38	3	20	90	13	49	44
K0258.3125CP	reamed hole	35	125	0,5	25	20	M6	20	47,5	4	23,5	109	18,5	59,5	53
K0258.4160CP	reamed hole	45	160	0,5	25	25	M8	26	62	5,6	28	144	18,5	83,5	64,5
K0258.4160CQ	reamed hole	45	160	0,625	25	25	M8	26	62	5,6	28	144	18,5	83,5	64,5