

Catch plate, Form B

Item description/product images

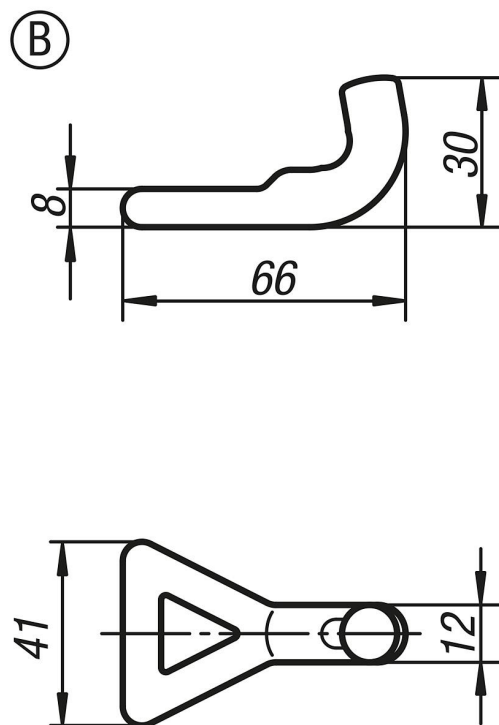


Description

Material:
Steel.

Version:
Bright.

Drawings



Overview of items

Order No.	Form
K0052.92000601	B