

Ledge handles, aluminium, ribbed, T-profile

Item description/product images



Description

Material:

Profile aluminium EN AW-6060

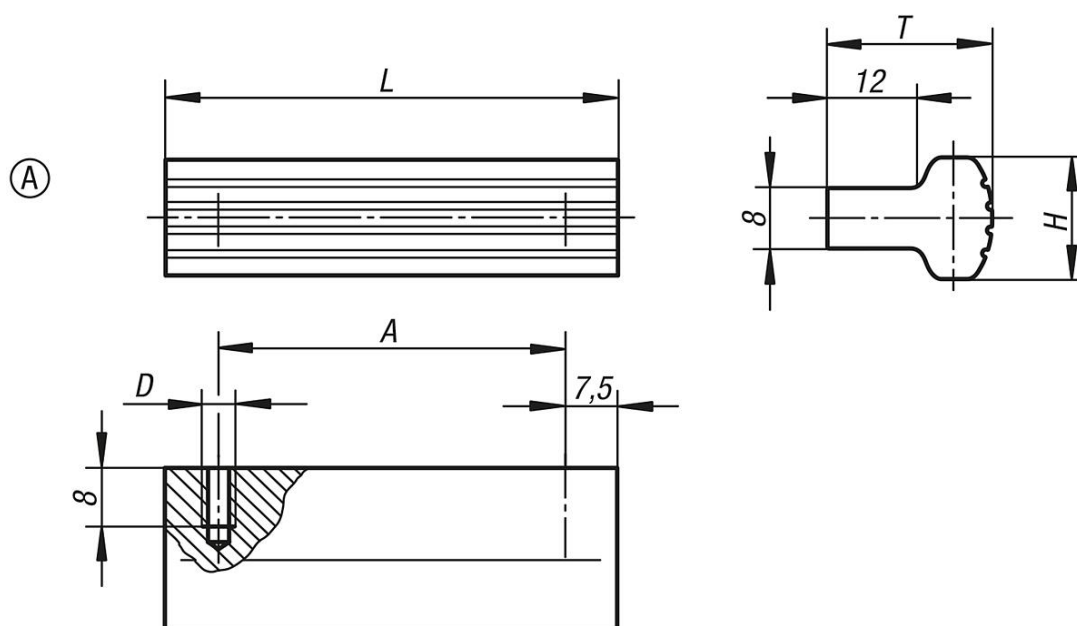
Version:

Profile aluminium vibration ground, matt-finished and natural colour or black anodised.

On request:

Any other lengths.

Drawings



Overview of items

Ledge handles

Order No.	Main colour	Form	A	D	H	L	T	Load capacity N
K0232.10301	natural anodised	A	30	M4	16	45	22	200
K0232.10302	black anodised	A	30	M4	16	45	22	200
K0232.10451	natural anodised	A	45	M4	16	60	22	200
K0232.10452	black anodised	A	45	M4	16	60	22	200
K0232.10701	natural anodised	A	70	M4	16	85	22	200
K0232.10702	black anodised	A	70	M4	16	85	22	200
K0232.10901	natural anodised	A	90	M4	16	105	22	200
K0232.10902	black anodised	A	90	M4	16	105	22	200
K0232.11051	natural anodised	A	105	M4	16	120	22	200
K0232.11052	black anodised	A	105	M4	16	120	22	200

Ledge handles, aluminium, ribbed, T-profile

Overview of items

Order No.	Main colour	Form	A	D	H	L	T	Load capacity N
K0232.11201	natural anodised	A	120	M4	16	135	22	200
K0232.11202	black anodised	A	120	M4	16	135	22	200