

## Pull handles, square aluminium

### Item description/product images



### Description

#### Material:

Legs and grip aluminium EN AW-6060.

Connecting pins stainless steel.

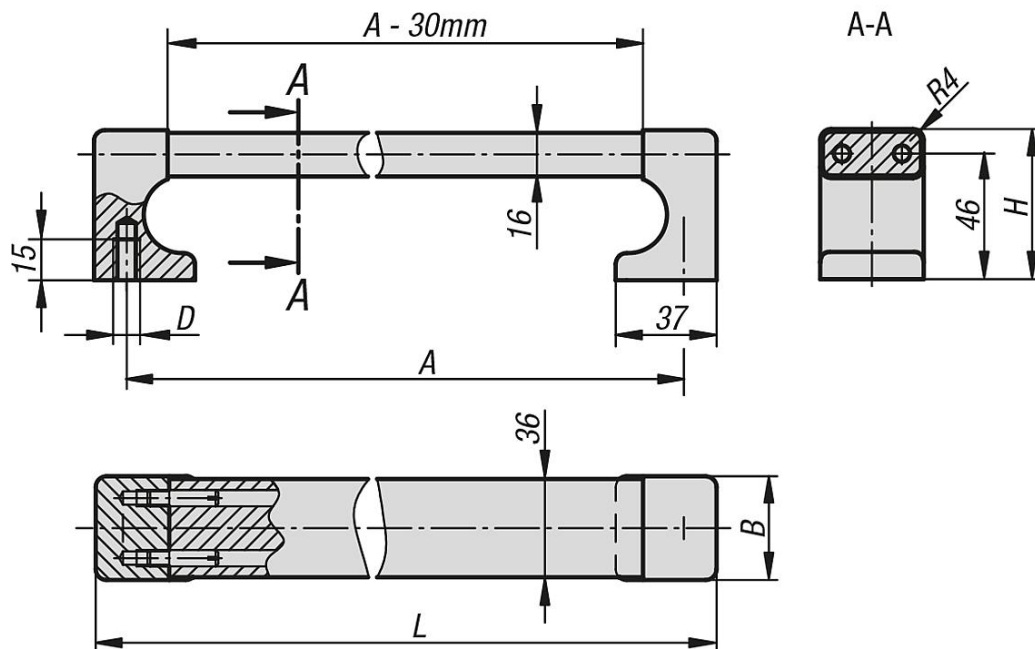
#### Version:

Legs and grip finely ground, anodised black or natural tone.

#### Note:

The solid construction permits this handle series to also be used as edge protectors.

### Drawings



### Overview of items

#### Pull handles

Order No.	Main colour	A	B	D	H	L	Load capacity N
K0228.250081	black anodised	250	38	M8	55	274	1000
K0228.300081	black anodised	300	38	M8	55	324	1000
K0228.400081	black anodised	400	38	M8	55	424	1000
K0228.500081	black anodised	500	38	M8	55	524	1000
K0228.600081	black anodised	600	38	M8	55	624	1000
K0228.250083	natural anodised	250	38	M8	55	274	1000
K0228.300083	natural anodised	300	38	M8	55	324	1000
K0228.400083	natural anodised	400	38	M8	55	424	1000
K0228.500083	natural anodised	500	38	M8	55	524	1000
K0228.600083	natural anodised	600	38	M8	55	624	1000

