

Pull handles, round steel, angled

Item description/product images

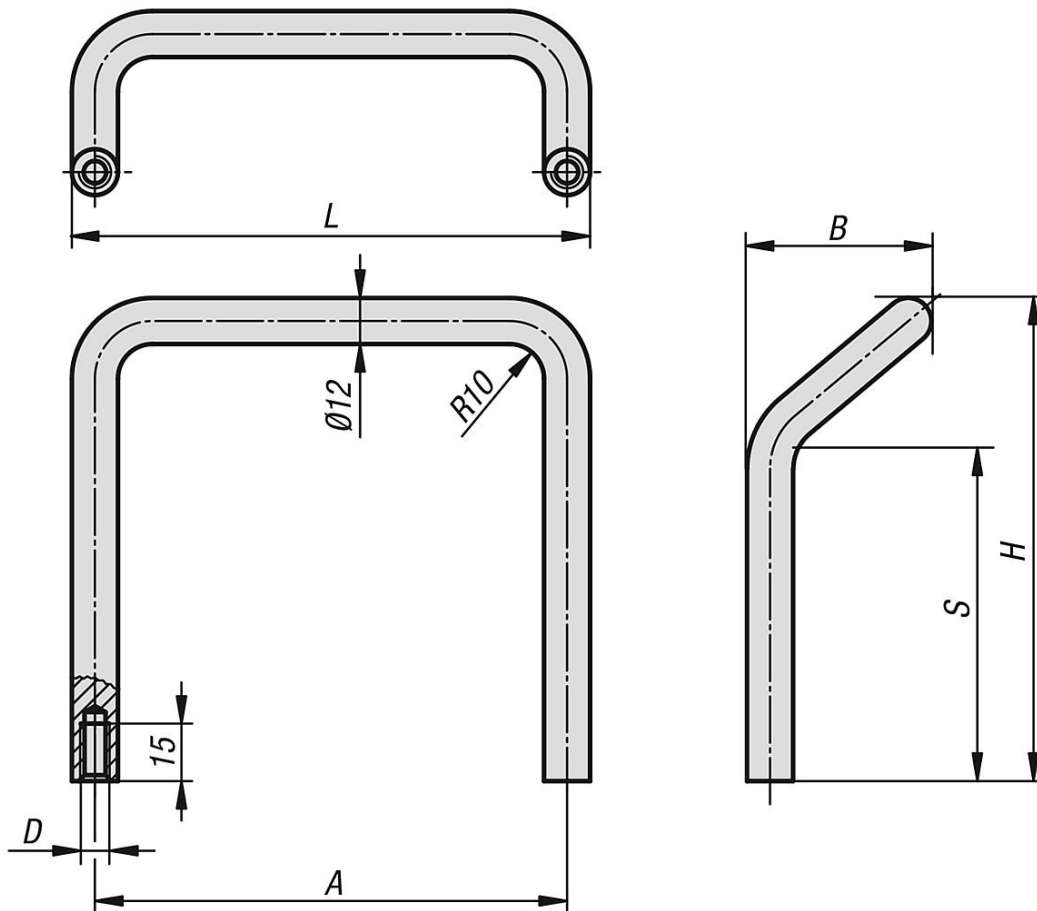


Description

Material:
Round steel

Version:
Finely ground and high-gloss chrome-plated.

Drawings



Overview of items

Pull handles angled

Order No.	A	B	D	H	L	S	Load capacity N
K0207.06008	120	47	M8	66	132	27	1000
K0207.12008	120	47	M8	126	132	87	1000

