

Tongue stainless, without stop

Item description/product images



Description

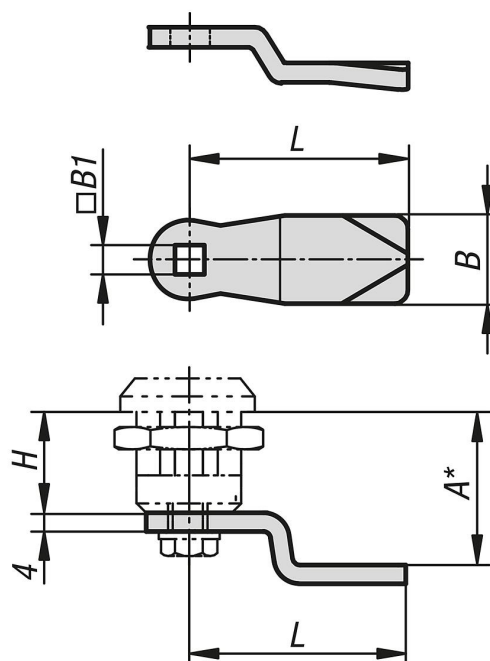
Material:
Stainless steel 1.4301.

Version:
Bright.

Note:
*A in mm by housing length H=26.1 mm.

Accessory:
Quarter-turn lock zinc, for fire services, DIN 14925 K2219.

Drawings



Overview of items

Tongue stainless, without stop

Order No.	Version 2	A at H=26.1	B	B1	L
K2221.145X521	offset downwards	52,1	19,5	8,1	45
K2221.145X501	offset downwards	50,1	19,5	8,1	45
K2221.145X481	offset downwards	48,1	19,5	8,1	45
K2221.145X461	offset downwards	46,1	19,5	8,1	45
K2221.145X441	offset downwards	44,1	19,5	8,1	45
K2221.145X421	offset downwards	42,1	19,5	8,1	45
K2221.145X401	offset downwards	40,1	19,5	8,1	45
K2221.145X381	offset downwards	38,1	19,5	8,1	45
K2221.145X361	offset downwards	36,1	19,5	8,1	45
K2221.145X341	offset downwards	34,1	19,5	8,1	45
K2221.145X321	offset downwards	32,1	19,5	8,1	45
K2221.145X301	offset downwards	30,1	19,5	8,1	45

Tongue stainless, without stop

Overview of items

Order No.	Version 2	A at H=26.1	B	B1	L
K2221.145X281	offset downwards	28,1	19,5	8,1	45
K2221.145X261	straight	26,1	19,5	8,1	45
K2221.145X241	offset upwards	24,1	19,5	8,1	45
K2221.145X221	offset upwards	22,1	19,5	8,1	45
K2221.145X201	offset upwards	20,1	19,5	8,1	45
K2221.145X181	offset upwards	18,1	19,5	8,1	45
K2221.145X161	offset upwards	16,1	19,5	8,1	45
K2221.145X141	offset upwards	14,1	19,5	8,1	45
K2221.145X121	offset upwards	12,1	19,5	8,1	45