

Round grippers, Form M

Item description/product images



Description

Material, version:

Form M tool steel with carbide serrations, black oxidised.

Note:

Grippers and inserts are ideal for use in clamping arms, gripping systems, clamping fixtures, clamping jaws and self-aligning pads. Grippers transfer very high torque values and above average holding forces, even on hard materials and surface irregularities.

Grippers and inserts can be fitted in the following self-aligning pads:

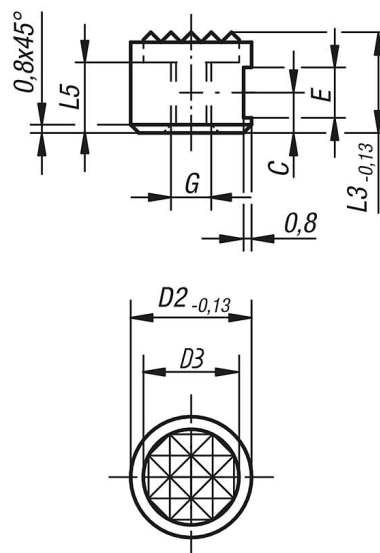
Order No. K0285.117X022 up to K0285.936X036

Order No. K0289.110X015 up to K0289.924X100

Order No. K0291.120X030 up to K0291.924X080

Drawings

Form M
carbide steel
diamond grip insert



Overview of items

| Order No. | G | D2 | L3 | Form | D3 | L5 | C | E |
|-------------|----|----|----|------|------|----|-----|------|
| K0385.10107 | M5 | 10 | 10 | M | 7,9 | 6 | 4,5 | 4,75 |
| K0385.10127 | M5 | 10 | 12 | M | 7,9 | 8 | 6 | 4,75 |
| K0385.12107 | M5 | 12 | 10 | M | 9,5 | 6 | 4,5 | 4,75 |
| K0385.12127 | M5 | 12 | 12 | M | 9,5 | 7 | 6 | 4,75 |
| K0385.16107 | M6 | 16 | 10 | M | 12,7 | 6 | 4,5 | 4,75 |
| K0385.16127 | M6 | 16 | 12 | M | 12,7 | 8 | 6 | 4,75 |
| K0385.20107 | M6 | 20 | 10 | M | 15,9 | 6 | 4,5 | 4,75 |
| K0385.20127 | M6 | 20 | 12 | M | 15,9 | 8 | 6 | 4,75 |
| K0385.25107 | M6 | 25 | 10 | M | 19 | 6 | 4,5 | 4,75 |
| K0385.25127 | M6 | 25 | 12 | M | 19 | 8 | 6 | 4,75 |

