

Compression latches, zinc

Item description/product images



Description

Material:

Housing and actuator die-cast zinc.
Flat seal rubber.

Version:

Housing and actuator chrome-plated.

Note:

Compression latches are primarily used for doors and housings that require a high pressure on the seal. Right or left deployment. The locking direction is always clockwise.

Vibration-proof, water and dust tight according to IP65.

Please order the desired tongue type separately. Every tongue can be combined with every housing.

Function:

Turning the actuator 90° brings the tongue into the closed position. Turning the actuator another 90° draws the tongue into the frame increasing the pressure. The compression gap is 6 mm. The fastening nut is an earthing nut with teeth one side.

Accessory:

Key K0535

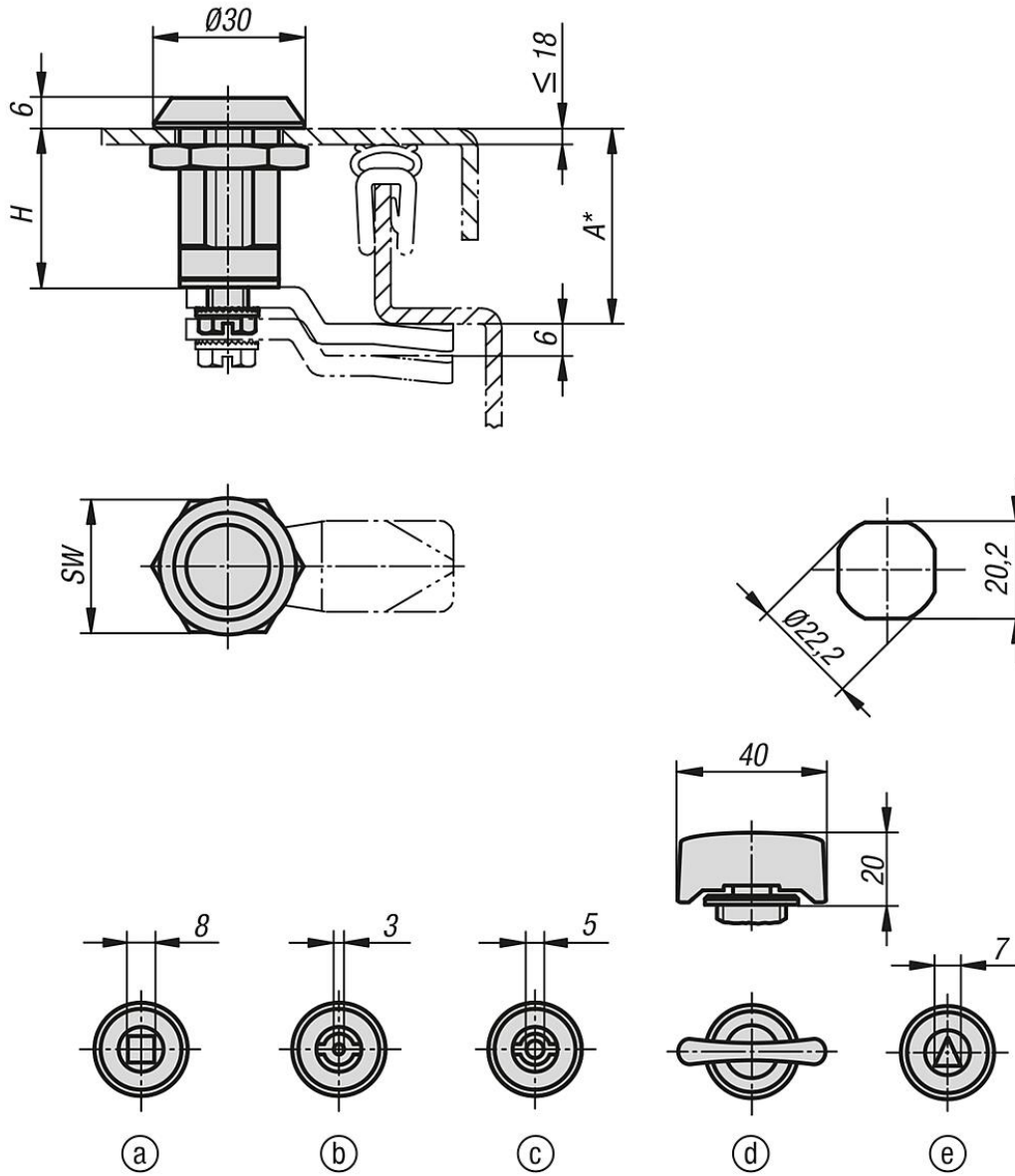
Drawing reference:

Actuation:

- a) square 8 mm
- b) double lug 3 mm
- c) double lug 5 mm
- d) T-grip
- e) triangle 7 mm

Compression latches, zinc

Drawings



Overview of items

Compression latches, zinc

Order No.	Actuation	H	S max.	SW
K0529.18321	square 8 mm	32	18	27
K0529.30321	wing grip	32	18	27
K0529.43321	double lug 3 mm	32	18	27
K0529.45321	double lug 5 mm	32	18	27
K0529.87321	Triangle 7 mm	32	18	27

