

Quarter-turn lock, zinc no versions

Item description/product images



Description

Material:

Housing and actuator die-cast zinc.

Version:

Housing and actuator chrome-plated.

Wing-handle version powder-coated.

Note:

Small quarter turn lock with spring-loaded tongue. Right or left deployment. The lock can be installed pre-assembled. The fastening nut is an earthing nut with teeth one side.

Please order the desired tongue type separately. Every tongue can be combined with every housing.

Accessory:

Key K0535.

Tongue for steel quarter-turn lock K0519.

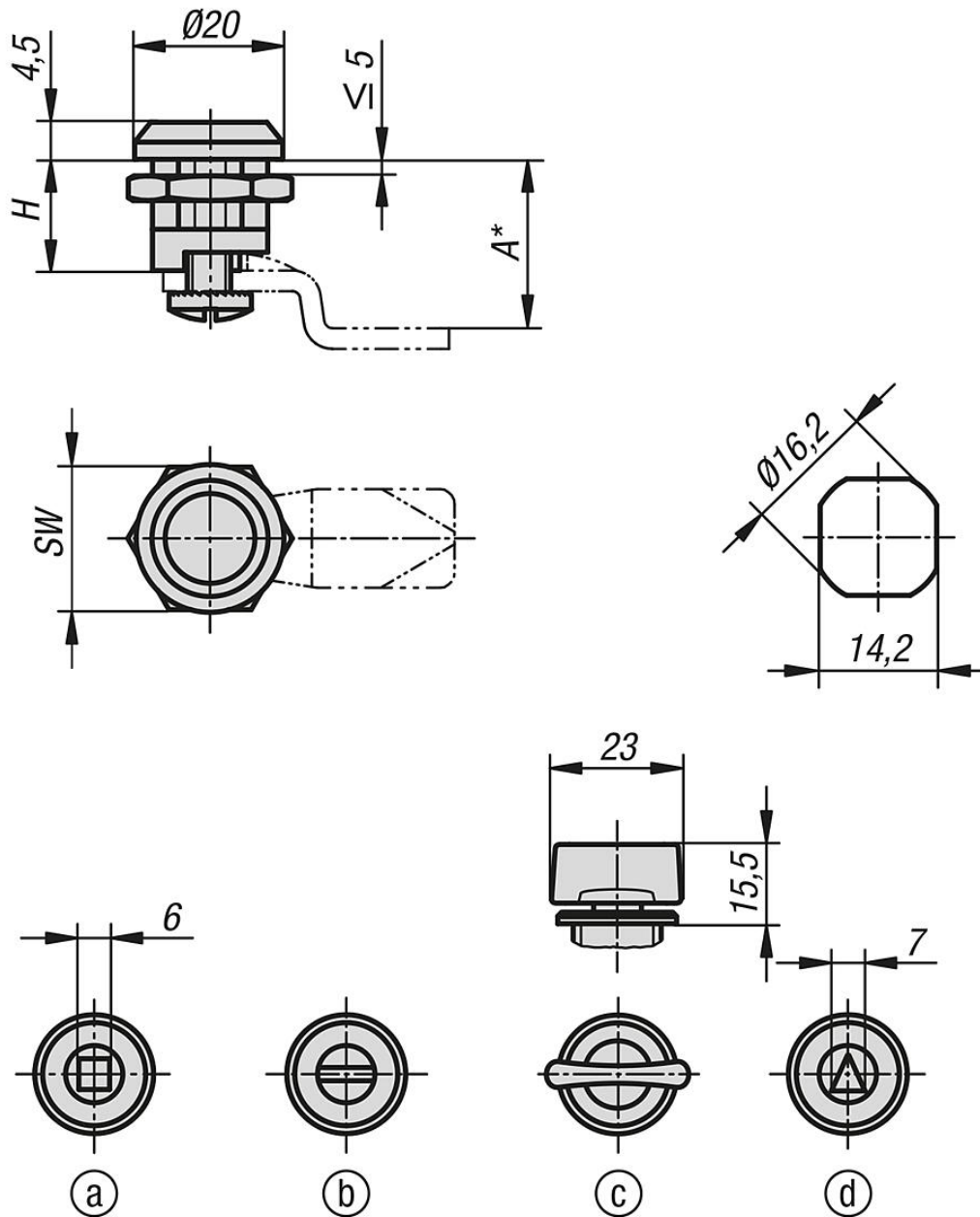
Drawing reference:

Actuation:

- a) square 6 mm
- b) slit
- c) T-grip
- d) triangle 7 mm

Quarter-turn lock, zinc no versions

Drawings



Overview of items

Quarter-turn lock, zinc, small version

| Order No. | Actuation | H | S max. | SW |
|-------------|---------------|------|--------|----|
| K0518.16131 | square 6 mm | 13,5 | 5 | 20 |
| K0518.20131 | slot | 13,5 | 5 | 20 |
| K0518.30132 | wing grip | 13,5 | 5 | 20 |
| K0518.87131 | Triangle 7 mm | 13,5 | 5 | 20 |

