

## Support elements automation compatible

### Item description/product images



### Description

**Product description:**

Support elements reduce workpiece vibrations during machining.  
All moving parts are sealed against the ingress of coolant, dust and swarf.

**Material:**

Carbon steel.

**Version:**

Body black oxidised. Thrust pin tempered and black oxidised.

**Type of operation:**

Actuated using a hammer driver with adjustable torque or manually using a clamping key.

**Advantages:**

Automation-compatible  
High clamping forces  
Rapid clamping

**Supplied with:**

K2160.05012: 2x locating pins  $\varnothing$  6 (h7) x 20, protective plug for tapped holes.

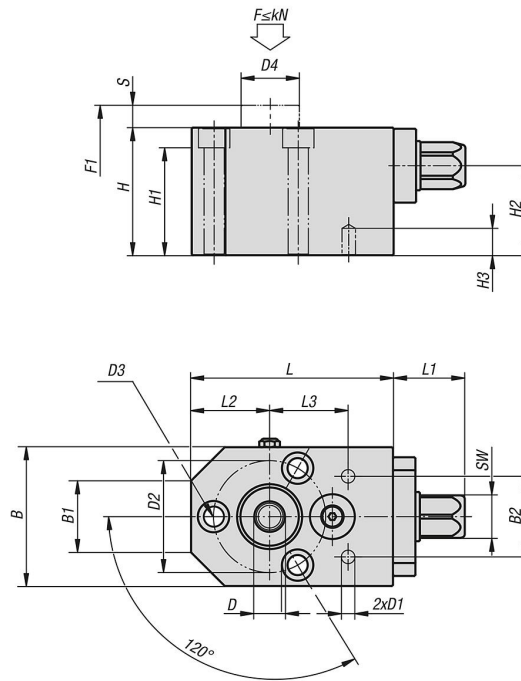
K2160.10016: 2x locating pins  $\varnothing$  8 (h7) x 25, protective plug for tapped holes

**Accessory:**

Self-aligning pads K0282.  
Positioning feet K0298.  
Positioning feet K0299.  
Rest pads K0307.

## Support elements automation compatible

### Drawings



### Overview of items

#### Support elements automation compatible

Order No.	B	B1	B2	D	D1	D2	D3 for screw to DIN 912	D4	H	H1	H2	H3	L	L1	L2	L3	F= Spring strength (N)	F max. kN	Tightening torque max. Nm	Travel S	SW
<b>K2160.05012</b>	62	32	36	M12x24	6	50	M8	26	57	48	40	12	90	32	35	35	15-30	5	40	10	19
<b>K2160.10016</b>	75	35	48	M16x32	8	60	M10	33	72	61	50	16	115	42	42	45	15-35	10	80	10	19