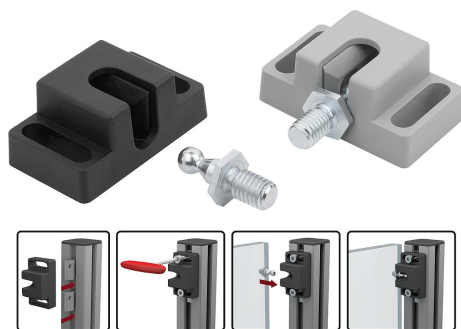


Ball catches

Item description/product images



Description

Material:

Fibreglass reinforced polyamide.
Ball pins, steel or stainless steel 1.4301.

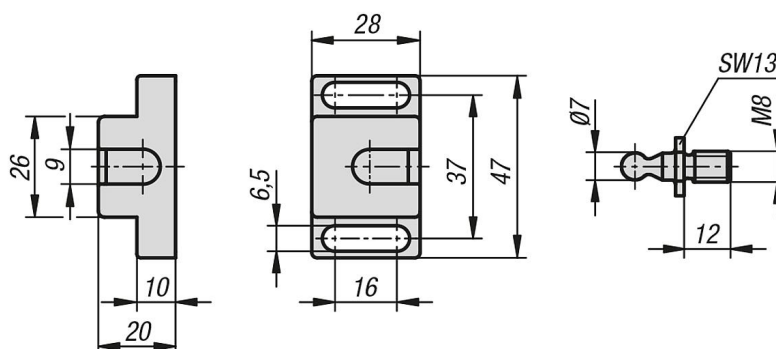
Version:

Black or grey
Ball pins electro zinc-plated (steel) or bright (stainless steel).

Note:

Quick lock for swing and sliding doors. The elongated holes enable flexible positioning on aluminium profiles and panel elements.

Drawings



Overview of items

Ball catches

Order No.	Main colour	Component material	Retaining force F1 N
K1294.400	black	steel	40
K1294.401	black	stainless steel	40
K1294.500	black	steel	50
K1294.501	black	stainless steel	50
K1294.4001	grey	steel	40
K1294.4011	grey	stainless steel	40
K1294.5001	grey	steel	50
K1294.5011	grey	stainless steel	50