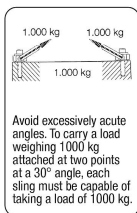
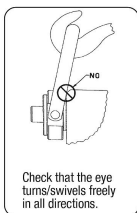


Hoist rings

Item description/product images



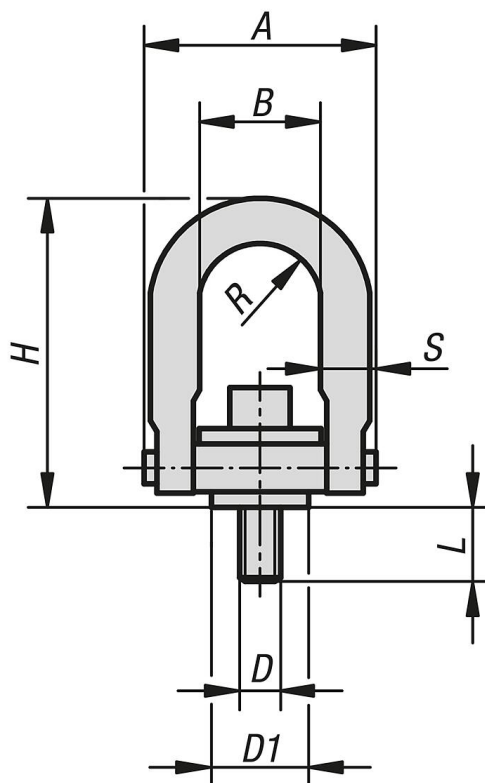
Description

Material:
Carbon steel.

Version:
Black oxidised.

Note:
Every hoist ring undergoes an additional visual inspection after load testing (5x safety factor).
A safety data sheet for installation is included with every hoist ring.
Do not use spacer washers between the bush flange and support beam.
Tighten the screws to the stated torque and check and re-tighten regularly. After installation check if the ring swivels and turns freely in all directions.
Lift with care! Avoid impacts!
In no event must the permissible load stamped on the hoist ring be exceeded.

Drawings



Overview of items

Hoist rings

Hoist rings

Overview of items

Order No.	Version	D	D1	A	B	H	L	R	S	max. permissible load kg	Tightening torque Nm
K2178.08	standard	M8	19	46,7	22	67,8	12,5	10,9	9,7	400	9,81
K2178.10	standard	M10	19	46,7	22	67,8	17,5	10,9	9,7	450	16,7
K2178.12	standard	M12	38,1	89,4	46	123	19	22,4	19	1050	37,3
K2178.16	standard	M16	38,1	89,4	46	123	29	22,4	19	1900	80,4
K2178.201	standard	M20	38,1	89,4	46	123	34	22,4	19	2150	133
K2178.20	standard	M20	58,7	130,6	70	163	32	35,6	25,4	3000	133
K2178.24	standard	M24	58,7	130,6	70	163	37	35,6	25,4	4200	304
K2178.30	standard	M30	81	165,1	90	221,7	46	44,5	31,7	7000	588
K2178.36	standard	M36	106,4	217,2	115	316,7	68	57,2	44,4	11000	981
K2178.42	standard	M42	106,4	217,2	115	316,7	68	57,2	44,4	12500	981
K2178.48	standard	M48	106,4	217,2	115	316,7	88	57,2	44,4	13500	981
K2178.112	long	M12	38,1	89,4	46	170,7	19	22,4	19	1050	37,3
K2178.116	long	M16	38,1	89,4	46	170,7	29	22,4	19	1900	80,4
K2178.1201	long	M20	38,1	89,4	46	170,7	34	22,4	19	2150	133
K2178.120	long	M20	58,7	130,6	70	206	32	35,6	25,4	3000	133
K2178.124	long	M24	58,7	130,6	70	206	37	35,6	25,4	4200	304