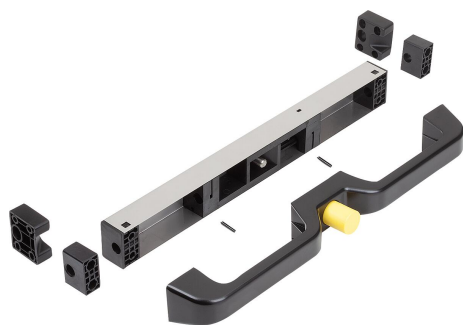


Grip, steel with locking unit

Item description/product images



Description

Material:

Grip steel.
Push button plastic.
Rod steel or stainless steel.

Version:

Steel electro zinc-plated.
Stainless steel bright.
Plastic yellow.

Note for ordering:

Rods for locking units are sold in pairs.

Note:

The grip with locking unit can be used for drawers with a width from 1.5 m. The rail thickness must be at least 17.5 mm. The system can be mounted in two positions. Front mounting for drawer retention and rear mounting for drawer retention and latching.

With the aid of the conversion kit for locking unit, the drawer can be locked in both closed and open position.

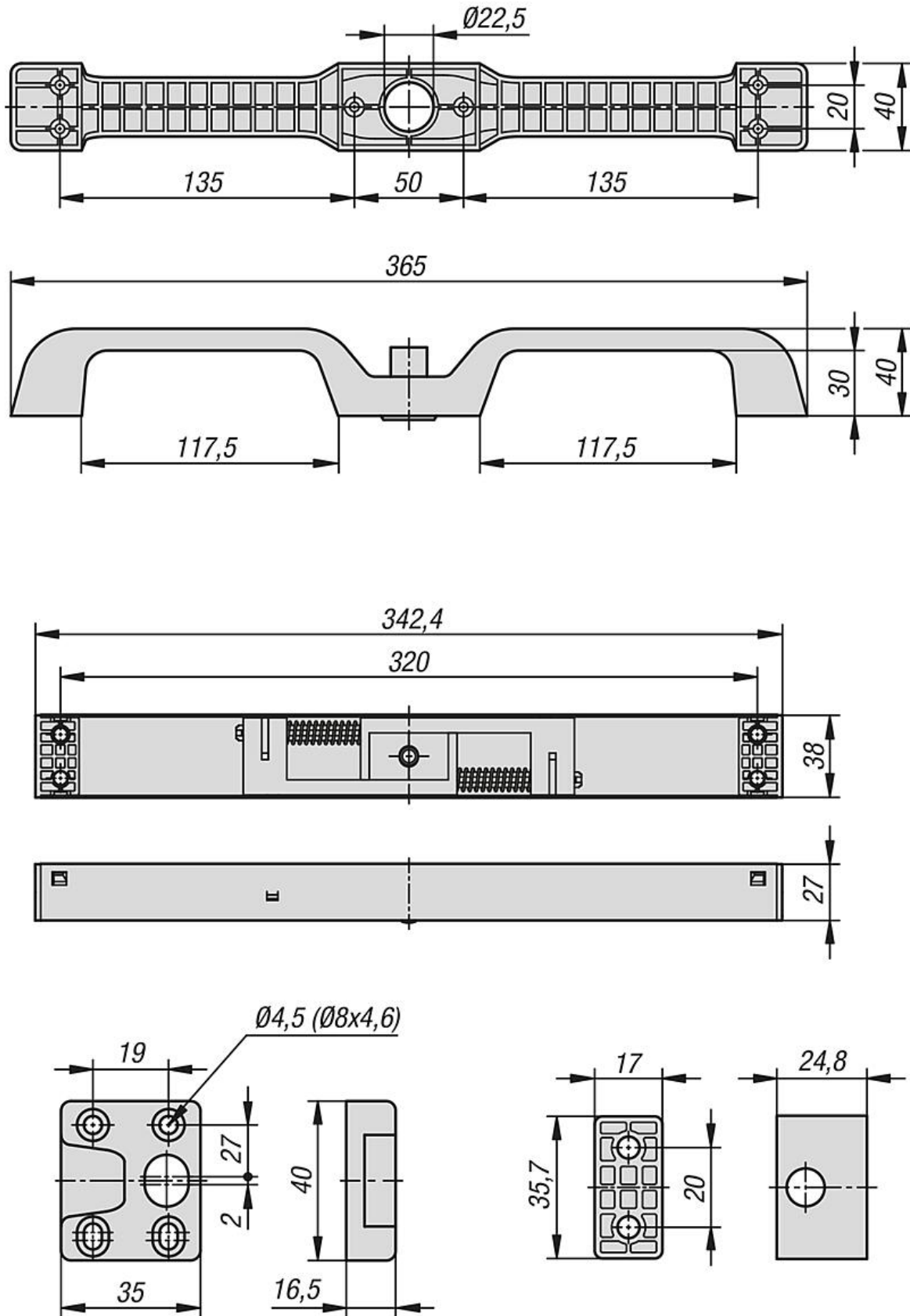
On request:

Red push button.

Accessory:

K2097.91 Conversion kit for locking unit.
K2097.900500, K2097.900750, K2097.910500, K2097.910750 Rod for locking unit.

Drawings



Grip, steel with locking unit

Overview of items

Grip with locking unit, steel

| Order No. | Item | Version 1 | Main material | Main colour | Surface finish body | D | L | F= thrust force (N) |
|--------------|----------------|-----------|-----------------|-------------|---------------------|----|-----|---------------------|
| K2097.060 | Grip | - | steel | black | galvanised | - | - | 60 |
| K2097.120 | Grip | - | steel | black | galvanised | - | - | 120 |
| K2097.91 | conversion set | - | plastic | yellow | - | - | - | - |
| K2097.900500 | Rod | - | steel | - | galvanised | 10 | 500 | - |
| K2097.900750 | Rod | - | steel | - | galvanised | 10 | 750 | - |
| K2097.910500 | Rod | - | stainless steel | - | bright | 10 | 500 | - |
| K2097.910750 | Rod | - | stainless steel | - | bright | 10 | 750 | - |