

Knurled knobs biopolymer

Item description/product images



Description

Material:

Biopolymer wood fibre reinforced, natural beech.
Biopolymer fibreglass reinforced, black grey.
Bush or screw stainless steel 1.4305.

Version:

Natural beech with wood fibre optic or coloured black grey.
Bush and threaded pin bright stainless steel.

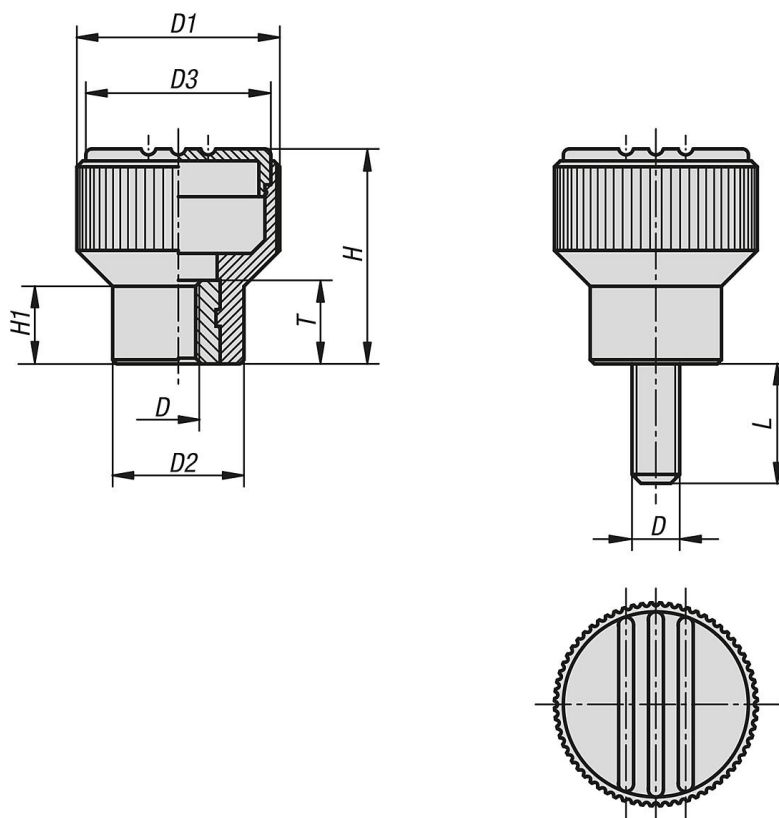
Note:

Good mechanical strength (tested to a minimum of 2x safety factor).
Good chemical resistance.
Suitable for outdoor use (weather resistant).

Advantages:

This biopolymer is manufactured entirely from renewable raw materials (oil free).
Good CO₂ impact compared to petroleum-based plastics.
Conservation of finite fossil resources.
The wood fibres originate 100% from local, sustainably managed forests in Germany.
Biopolymer is suitable for recycling (comparable to thermoplastics).

Drawings



Knurled knobs biopolymer

Overview of items

Knurled knobs biopolymer

Order No.	Main colour	D	D1	D2	D3	H	H1	L	T
K0247.100104143	natural beech	M4	21	14	19	22	8	-	10
K0247.100105143	natural beech	M5	21	14	19	22	8	-	10
K0247.100106143	natural beech	M6	21	14	19	22	8	-	10
K0247.10010490	black grey RAL 7021	M4	21	14	19	22	8	-	10
K0247.10010590	black grey RAL 7021	M5	21	14	19	22	8	-	10
K0247.10010690	black grey RAL 7021	M6	21	14	19	22	8	-	10
K0247.100105143X10	natural beech	M5	21	14	19	22	8	10	-
K0247.100106143X15	natural beech	M6	21	14	19	22	8	15	-
K0247.10010590X10	black grey RAL 7021	M5	21	14	19	22	8	10	-
K0247.10010690X15	black grey RAL 7021	M6	21	14	19	22	8	15	-