

## Pull handles biopolymer

### Item description/product images



### Description

#### Material:

Biopolymer wood fibre reinforced, natural beech.  
Biopolymer fibreglass reinforced, black grey.

#### Version:

Natural beech with wood fibre optic or coloured black grey.

#### Note:

Good mechanical strength (tested to a minimum of 2x safety factor).  
Good chemical resistance.  
Suitable for outdoor use (weather resistant).

The fastening holes are designed so that the handles can be secured from the front using cap screws or hex nuts.

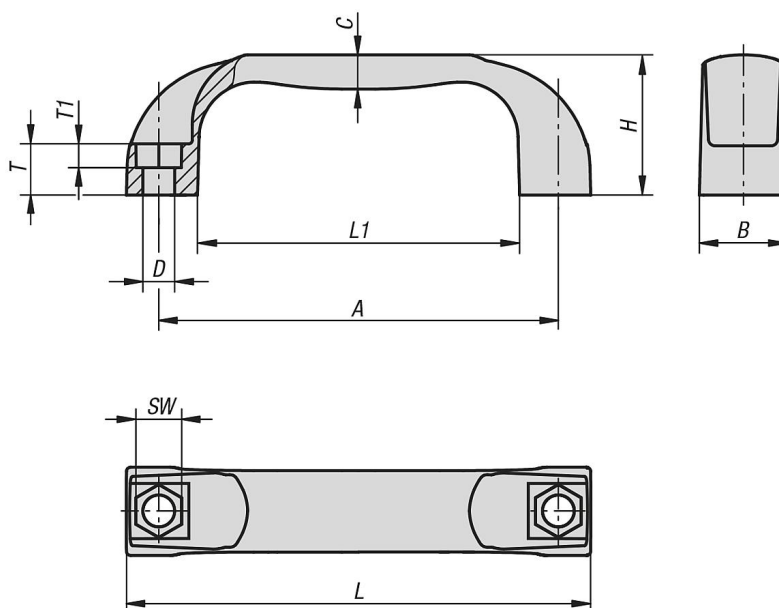
#### Assembly:

From the front or rear.

#### Advantages:

This biopolymer is manufactured entirely from renewable raw materials (oil free).  
Good CO<sub>2</sub> impact compared to petroleum-based plastics.  
Conservation of finite fossil resources.  
The wood fibres originate 100% from local, sustainably managed forests in Germany.  
Biopolymer is suitable for recycling (comparable to thermoplastics).

### Drawings



### Overview of items

### Pull handles biopolymer

## Pull handles biopolymer

### Overview of items

Order No.	Main colour	A	B	C	D	H	L	L1	SW	T	T1	Load capacity N
K0190.1009406143	natural beech	94	21	8	6,6	36	109	76	10	13	6	500
K0190.1011708143	natural beech	117	26	10	9	41	136	94	13	15	8	800
K0190.1013208143	natural beech	132	27	11	9	44	154	112	13	16	8	800
K0190.1015008143	natural beech	150	27	11	9	44	172	132	13	16	8	800
K0190.1017908143	natural beech	179	28	11	9	50	197	156	13	17	8	800
K0190.100940690	black grey RAL 7021	94	21	8	6,6	36	109	76	10	13	6	1000
K0190.101170890	black grey RAL 7021	117	26	10	9	41	136	94	13	15	8	1500
K0190.101320890	black grey RAL 7021	132	27	11	9	44	154	112	13	16	8	1500
K0190.101500890	black grey RAL 7021	150	27	11	9	44	172	132	13	16	8	1500
K0190.101790890	black grey RAL 7021	179	28	11	9	50	197	156	13	17	8	1500