

Ball lock pins lockable

Item description/product images



Description

Product description:

Ball lock pins are used for easy fastening or joining of components. The lockable type prevents unauthorised loosening or connections.

The two balls are disengaged by opening the cylinder lock with a key and the pin can be slipped into holes in the workpieces. When the cylinder lock is pressed in manually, the balls lock and the connection is secure. The balls can only be disengaged using a matching key.

Material:

Steel parts stainless steel.

Lock Zamac.

Key electro zinc-plated steel.

Version:

Bright.

Note:

Shear force double shear (F) = S · τ aB max.

The values given for the shear force are the theoretical breaking load. These are non-binding reference values without consideration of safety factors and exclude any liability. The values given are for information purposes only and do not constitute a legally binding assurance of properties.

The load values have been calculated in accordance with DIN 50141. Each user must determine individually whether the ball lock pin is suitable for the respective application.

Different materials in which the ball lock pins are used, weather conditions and wear can influence the determined values.

The cylinder lock is a single-key system. All cylinder locks can be opened using the same key. The lockable ball lock pins are supplied with two keys.

On request:

Other versions.

Accessory:

Bushes for ball lock pins K0724

Safety spiral cable K0367

Retaining cable with loop K0367

Key ring K0367

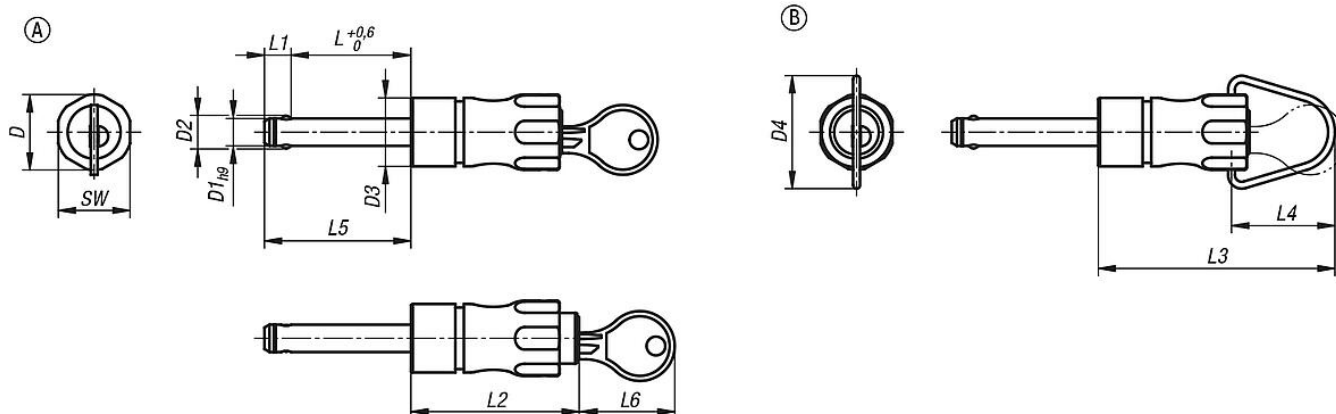
Drawing reference:

Form A: with recessed grip

Form B: with recessed grip and ring

Ball lock pins lockable

Drawings



Overview of items

Ball lock pins, stainless steel lockable

Order No.	Form	Form definition	D	D1	D2	D3	D4	L	L1	L2	L3	L4	L5	L6	SW	Receiving hole H11	Shearing force double shear max.kN
K1803.002208020	A	with recessed grip and ring	22	8	9,5	20	-	20	7,8	49,2	-	-	27,8	28	21	8	38
K1803.002208025	A	with recessed grip and ring	22	8	9,5	20	-	25	7,8	49,2	-	-	32,8	28	21	8	38
K1803.002208030	A	with recessed grip and ring	22	8	9,5	20	-	30	7,8	49,2	-	-	37,8	28	21	8	38
K1803.002208035	A	with recessed grip and ring	22	8	9,5	20	-	35	7,8	49,2	-	-	42,8	28	21	8	38
K1803.002208040	A	with recessed grip and ring	22	8	9,5	20	-	40	7,8	49,2	-	-	47,8	28	21	8	38
K1803.002208045	A	with recessed grip and ring	22	8	9,5	20	-	45	7,8	49,2	-	-	52,8	28	21	8	38
K1803.002208050	A	with recessed grip and ring	22	8	9,5	20	-	50	7,8	49,2	-	-	57,8	28	21	8	38
K1803.002210020	A	with recessed grip and ring	22	10	12	20	-	20	8,9	49,2	-	-	28,9	28	21	10	60
K1803.002210025	A	with recessed grip and ring	22	10	12	20	-	25	8,9	49,2	-	-	33,9	28	21	10	60
K1803.002210030	A	with recessed grip and ring	22	10	12	20	-	30	8,9	49,2	-	-	38,9	28	21	10	60
K1803.002210035	A	with recessed grip and ring	22	10	12	20	-	35	8,9	49,2	-	-	43,9	28	21	10	60
K1803.002210040	A	with recessed grip and ring	22	10	12	20	-	40	8,9	49,2	-	-	48,9	28	21	10	60
K1803.002210045	A	with recessed grip and ring	22	10	12	20	-	45	8,9	49,2	-	-	53,9	28	21	10	60
K1803.002210050	A	with recessed grip and ring	22	10	12	20	-	50	8,9	49,2	-	-	58,9	28	21	10	60
K1803.002210060	A	with recessed grip and ring	22	10	12	20	-	60	8,9	49,2	-	-	68,9	28	21	10	60
K1803.002212025	A	with recessed grip and ring	22	12	14,5	20	-	25	9,9	49,2	-	-	34,9	28	21	12	86
K1803.002212030	A	with recessed grip and ring	22	12	14,5	20	-	30	9,9	49,2	-	-	39,9	28	21	12	86
K1803.002212035	A	with recessed grip and ring	22	12	14,5	20	-	35	9,9	49,2	-	-	44,9	28	21	12	86
K1803.002212040	A	with recessed grip and ring	22	12	14,5	20	-	40	9,9	49,2	-	-	49,9	28	21	12	86
K1803.002212045	A	with recessed grip and ring	22	12	14,5	20	-	45	9,9	49,2	-	-	54,9	28	21	12	86
K1803.002212050	A	with recessed grip and ring	22	12	14,5	20	-	50	9,9	49,2	-	-	59,9	28	21	12	86
K1803.002212060	A	with recessed grip and ring	22	12	14,5	20	-	60	9,9	49,2	-	-	69,9	28	21	12	86
K1803.002212070	A	with recessed grip and ring	22	12	14,5	20	-	70	9,9	49,2	-	-	79,9	28	21	12	86
K1803.002212080	A	with recessed grip and ring	22	12	14,5	20	-	80	9,9	49,2	-	-	89,9	28	21	12	86
K1803.002216030	A	with recessed grip and ring	22	16	19	20	-	30	13,1	51,2	-	-	43,1	28	21	16	153
K1803.002216035	A	with recessed grip and ring	22	16	19	20	-	35	13,1	51,2	-	-	48,1	28	21	16	153
K1803.002216040	A	with recessed grip and ring	22	16	19	20	-	40	13,1	51,2	-	-	53,1	28	21	16	153
K1803.002216045	A	with recessed grip and ring	22	16	19	20	-	45	13,1	51,2	-	-	58,1	28	21	16	153
K1803.002216050	A	with recessed grip and ring	22	16	19	20	-	50	13,1	51,2	-	-	63,1	28	21	16	153
K1803.002216060	A	with recessed grip and ring	22	16	19	20	-	60	13,1	51,2	-	-	73,1	28	21	16	153
K1803.002216070	A	with recessed grip and ring	22	16	19	20	-	70	13,1	51,2	-	-	83,1	28	21	16	153
K1803.002216080	A	with recessed grip and ring	22	16	19	20	-	80	13,1	51,2	-	-	93,1	28	21	16	153
K1803.102208020	B	-	22	8	9,5	20	33	20	7,8	49,2	69,3	30,3	27,8	28	21	8	38
K1803.102208025	B	-	22	8	9,5	20	33	25	7,8	49,2	69,3	30,3	32,8	28	21	8	38
K1803.102208030	B	-	22	8	9,5	20	33	30	7,8	49,2	69,3	30,3	37,8	28	21	8	38
K1803.102208035	B	-	22	8	9,5	20	33	35	7,8	49,2	69,3	30,3	42,8	28	21	8	38
K1803.102208040	B	-	22	8	9,5	20	33	40	7,8	49,2	69,3	30,3	47,8	28	21	8	38
K1803.102208045	B	-	22	8	9,5	20	33	45	7,8	49,2	69,3	30,3	52,8	28	21	8	38
K1803.102208050	B	-	22	8	9,5	20	33	50	7,8	49,2	69,3	30,3	57,8	28	21	8	38

Ball lock pins lockable

Overview of items

Order No.	Form	Form definition	D	D1	D2	D3	D4	L	L1	L2	L3	L4	L5	L6	SW	Receiving hole H11	Shearing force double shear max.kN
K1803.102210020	B	-	22	10	12	20	33	20	8,9	49,2	69,3	30,3	28,9	28	21	10	60
K1803.102210025	B	-	22	10	12	20	33	25	8,9	49,2	69,3	30,3	33,9	28	21	10	60
K1803.102210030	B	-	22	10	12	20	33	30	8,9	49,2	69,3	30,3	38,9	28	21	10	60
K1803.102210035	B	-	22	10	12	20	33	35	8,9	49,2	69,3	30,3	43,9	28	21	10	60
K1803.102210040	B	-	22	10	12	20	33	40	8,9	49,2	69,3	30,3	48,9	28	21	10	60
K1803.102210045	B	-	22	10	12	20	33	45	8,9	49,2	69,3	30,3	53,9	28	21	10	60
K1803.102210050	B	-	22	10	12	20	33	50	8,9	49,2	69,3	30,3	58,9	28	21	10	60
K1803.102210060	B	-	22	10	12	20	33	60	8,9	49,2	69,3	30,3	68,9	28	21	10	60
K1803.102212025	B	-	22	12	14,5	20	33	25	9,9	49,2	69,3	30,3	34,9	28	21	12	86
K1803.102212030	B	-	22	12	14,5	20	33	30	9,9	49,2	69,3	30,3	39,9	28	21	12	86
K1803.102212035	B	-	22	12	14,5	20	33	35	9,9	49,2	69,3	30,3	44,9	28	21	12	86
K1803.102212040	B	-	22	12	14,5	20	33	40	9,9	49,2	69,3	30,3	49,9	28	21	12	86
K1803.102212045	B	-	22	12	14,5	20	33	45	9,9	49,2	69,3	30,3	54,9	28	21	12	86
K1803.102212050	B	-	22	12	14,5	20	33	50	9,9	49,2	69,3	30,3	59,9	28	21	12	86
K1803.102212060	B	-	22	12	14,5	20	33	60	9,9	49,2	69,3	30,3	69,9	28	21	12	86
K1803.102212070	B	-	22	12	14,5	20	33	70	9,9	49,2	69,3	30,3	79,9	28	21	12	86
K1803.102212080	B	-	22	12	14,5	20	33	80	9,9	49,2	69,3	30,3	89,9	28	21	12	86
K1803.102216030	B	-	22	16	19	20	33	30	13,1	51,2	69,3	30,3	43,1	28	21	16	153
K1803.102216035	B	-	22	16	19	20	33	35	13,1	51,2	69,3	30,3	48,1	28	21	16	153
K1803.102216040	B	-	22	16	19	20	33	40	13,1	51,2	69,3	30,3	53,1	28	21	16	153
K1803.102216045	B	-	22	16	19	20	33	45	13,1	51,2	69,3	30,3	58,1	28	21	16	153
K1803.102216050	B	-	22	16	19	20	33	50	13,1	51,2	69,3	30,3	63,1	28	21	16	153
K1803.102216060	B	-	22	16	19	20	33	60	13,1	51,2	69,3	30,3	73,1	28	21	16	153
K1803.102216070	B	-	22	16	19	20	33	70	13,1	51,2	69,3	30,3	83,1	28	21	16	153
K1803.102216080	B	-	22	16	19	20	33	80	13,1	51,2	69,3	30,3	93,1	28	21	16	153