

Knurled knobs, plastic, metal detectable

Item description/product images



Description

Product description:

The metal detectable operating parts are made from a EU10/2011 and FDA conform plastic granulate.

Due to special additives to the plastic granulate, it is possible for metal detectors (induction technology) to detect plastic particles from a size of 0.027 cm³ (3x3x3 mm). This means that in sensitive production sectors, e.g. foodstuff processing, plastic fragments of metal detectable operating parts can be identified and the risk of production downtimes or complaints are significantly reduced.

Material:

Thermoplastic (fibreglass reinforced polyamide), metal detectable, EU10/2011 and FDA conform.

Steel parts stainless steel 1.4404.

Version:

Thermoplastic black-grey RAL 7021.

Steel parts bright stainless steel.

Note:

The metal detectable additive can lead to partial colour variations in the plastic surface.

Application:

- Foodstuff industry
- Pharmaceutical industry
- Packaging industry

Temperature range:

-20°C to +100°C.

Advantages:

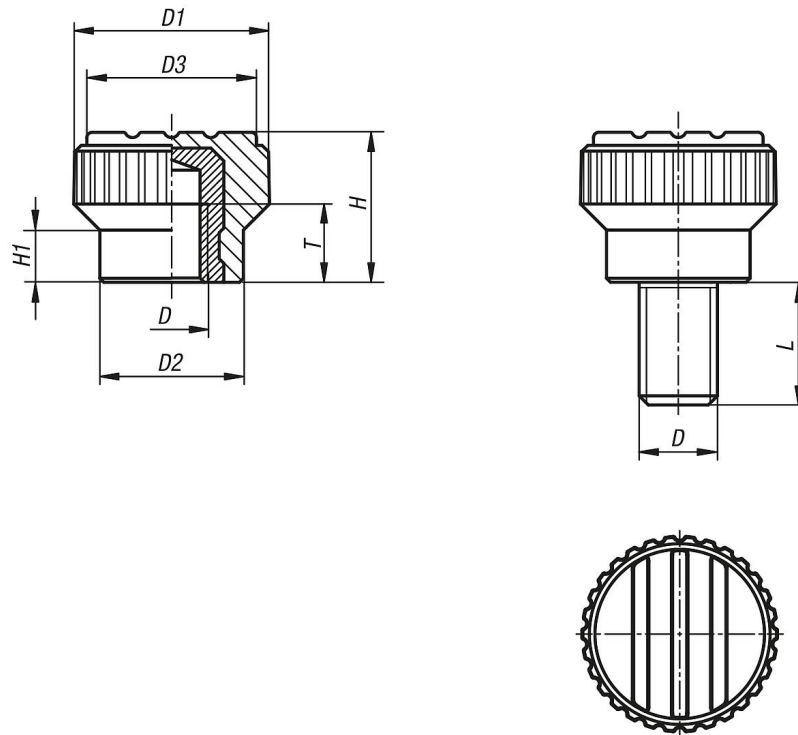
Metal detectable.

Detections volume ≥ 0.027 cm³.

Foodstuff conform material.

Knurled knobs, plastic, metal detectable

Drawings



Overview of items

Knurled knobs, plastic, metal detectable

| Order No. | Thread type | D | D1 | D2 | D3 | H | H1 | T | L |
|-----------------|-----------------|----|----|----|----|------|-----|---|----|
| K0110.140005 | internal thread | M5 | 15 | 11 | 13 | 11,5 | 4,3 | 6 | - |
| K0110.140005X10 | external thread | M5 | 15 | 11 | 13 | 11,5 | 4,3 | - | 10 |
| K0110.140006X20 | external thread | M6 | 15 | 11 | 13 | 11,5 | 4,3 | - | 20 |