

## Recessed handle, aluminium, fold-down

Item description/product images

# 19"



### Description

**Material:**  
Die-cast aluminium.

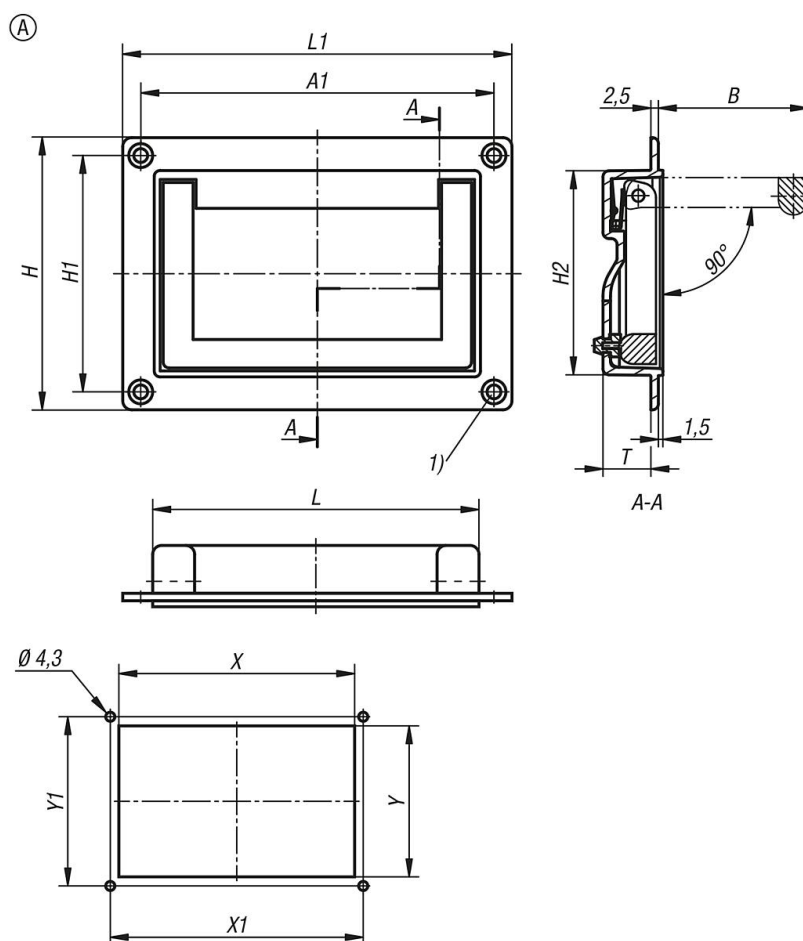
**Version:**  
Tray and handle black or light grey powder-coated, semi-matt.

**Note:**  
With their modern design recessed fold-down handles can be used wherever solid and attractive handles are required.  
Handles Form A snap into both resting and working positions.  
Handles Form B swivel back into the resting position automatically after use.

**Assembly:**  
The fold-down recessed handles can be installed from the front or rear of the housing panel with the same housing cutout.

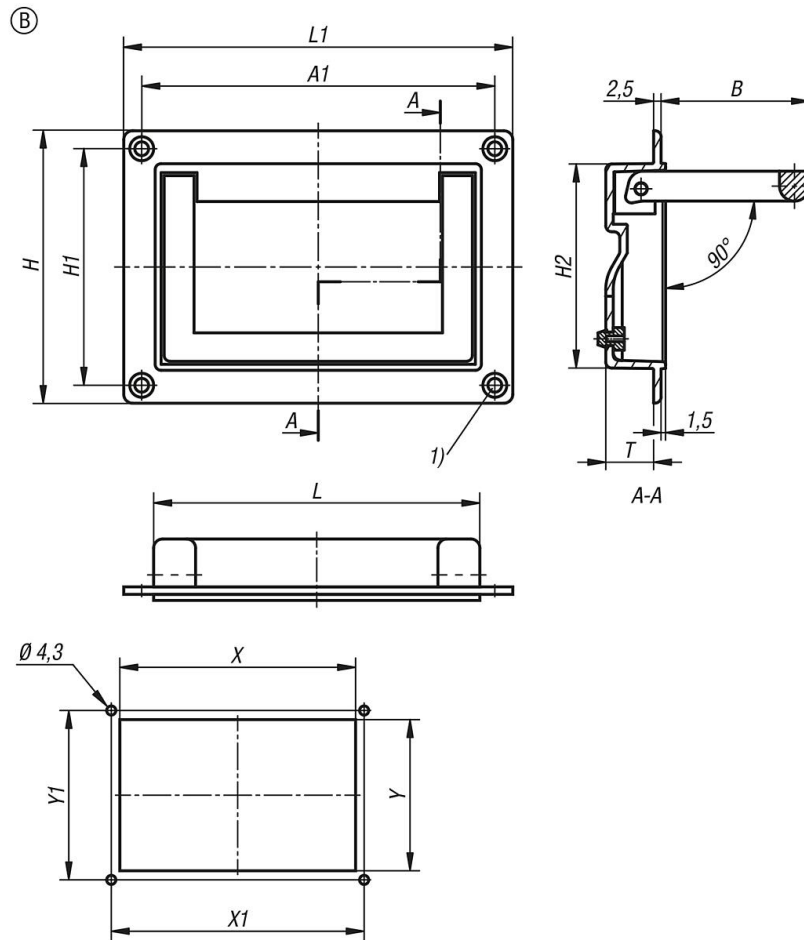
**Drawing reference:**  
1) for countersunk screws M4

### Drawings



Recessed handle, aluminium, fold-down

Drawings



Overview of items

Recessed handle, aluminium, fold-down

Order No.	Form	Form definition	Main colour	A1	B	H	H1	H2	L	L1	T	X	X1	Y	Y1	Load capacity N
K1795.07911811	A	latching	jet black RAL 9005	118	49,5	91	79	68,5	109	130	16	110	118	70,5	79	625
K1795.07911812	A	latching	light grey RAL 7035	118	49,5	91	79	68,5	109	130	16	110	118	70,5	79	625
K1795.07911821	B	auto-return	jet black RAL 9005	118	49,5	91	79	68,5	109	130	16	110	118	70,5	79	625
K1795.07911822	B	auto-return	light grey RAL 7035	118	49,5	91	79	68,5	109	130	16	110	118	70,5	79	625