

## Swivel castors

### Item description/product images



### Description

#### Material:

Housing steel plate.

Wheel body PA 6 with vulcanised elastic solid rubber tyre.

#### Version:

Housing press formed.

Double ball bearing with ball shield in castor head.

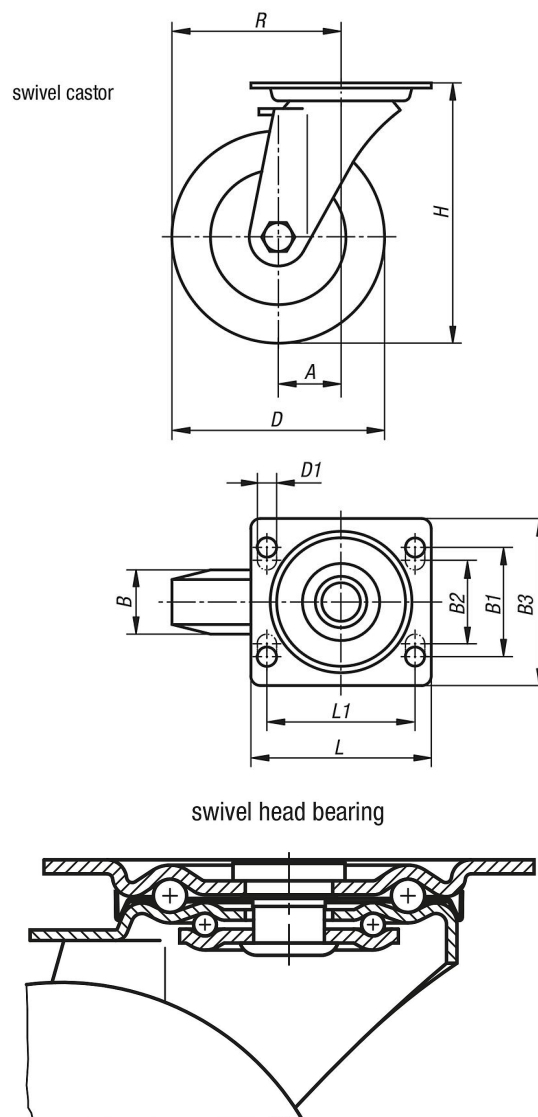
Roller bearings in the wheels.

#### Note:

Wheel axle bolted.

Wheels are shock and impact proof.

### Drawings



## Overview of items

Order No.	Item	Version 1	Wheel bearing	A	B	B1	B2	B3	D	D1	H	L	L1	R	Permissible load kg
<b>K1762.10037</b>	Swivel castor	without locking system	roller bearing	36	32	-	60	85	100	9	125	100	80	86	170
<b>K1762.12537</b>	Swivel castor	without locking system	roller bearing	40	37	-	60	85	125	9	150	100	80	102,5	200
<b>K1762.16050</b>	Swivel castor	without locking system	roller bearing	60	50	75	80	110	160	11	195	140	105	140	350
<b>K1762.20050</b>	Swivel castor	without locking system	roller bearing	65	50	75	80	110	200	11	235	140	105	165	400