

Swivel castor, electrically conductive

Item description/product images



Description

Material:

Housing steel plate.
Wheels with thermoplastic rubber tread.
Wheel body polypropylene.

Version:

Housing press formed.
Double ball bearing in the castor head.
Plain bearing in wheels.

Note:

Wheel axle threaded. Swivel and fixed castors with mounting plate. Electrically conductive wheels, non-marking grey. The ohmic resistance of the wheel is less than $10^4\Omega$.

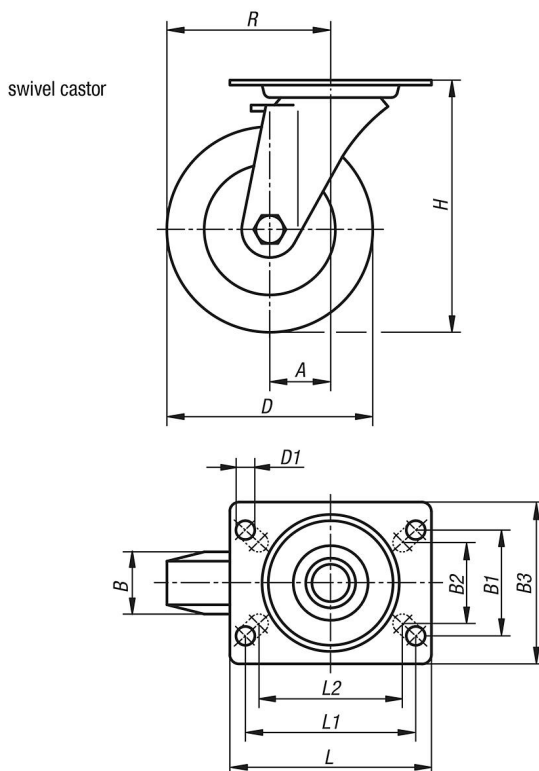
Application:

Electrically conductive wheels on swivel and fixed castors are used to protect against electrostatic discharge generated by transport equipment or the transported goods. Damage to sensitive goods and painful electrostatic shocks to the personal is so prevented.

Temperature range:

-20 °C to +60 °C.

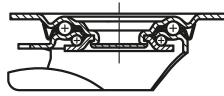
Drawings



Swivel castor, electrically conductive

Drawings

swivel head bearing:



Overview of items

Order No.	Version 1	Wheel bearing	A	B	B1	B2	B3	D	D1	L	L1	H	L2	R	Permissible load kg
K1761.1108032	without locking system	plain bearing	38	32	55	60	85	80	9	100	80	102	76	78	65
K1761.1110032	without locking system	plain bearing	36	32	55	60	85	100	9	100	80	125	76	86	70
K1761.1112532	without locking system	plain bearing	40	32	55	60	85	125	9	100	80	150	76	102,5	80
K1761.1116040	without locking system	plain bearing	54	40	75	80	110	160	11	140	105	195	-	134	130
K1761.1120040	without locking system	plain bearing	54	40	75	80	110	200	11	140	105	235	-	154	160