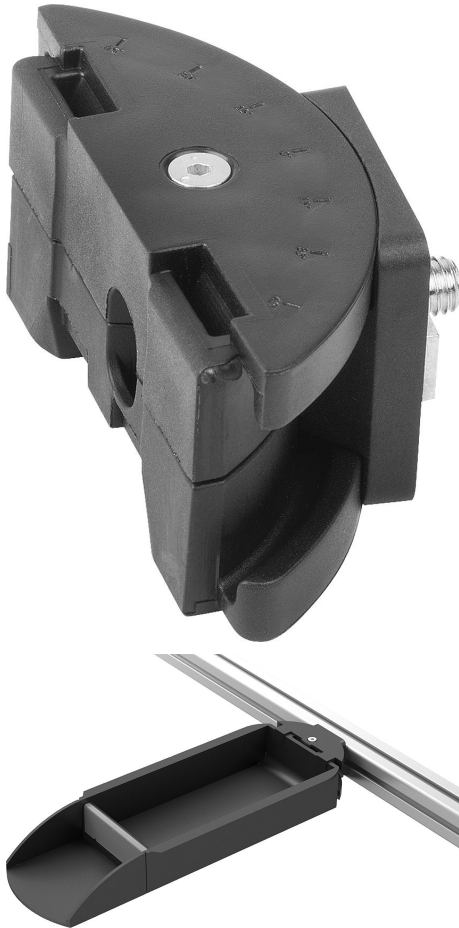


## Swivel adapter, plastic, for profile slots

### Item description/product images



### Description

**Material:**

Adapter fibreglass reinforced PA.  
Slot keys die-cast zinc.  
Fastening material steel.

**Version:**

Steel electro zinc-plated.

**Note:**

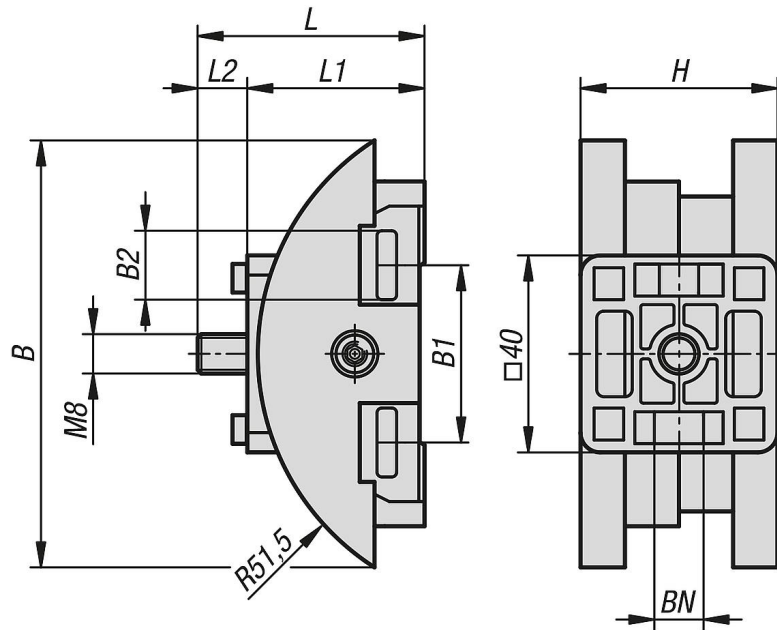
These adapters are used to fasten clip-in bins to profile slots (slot size 8 or 10).  
The adapter swivels through 45° in both directions.

**Supplied with:**

1x top adapter housing  
1x bottom adapter housing  
1x adapter flange  
1x M4 hex nut  
1x M4x35 countersunk screw  
4x slot keys, slot size 8/10  
1x M8x16 cap screw

**Swivel adapter, plastic, for profile slots**

**Drawings**



**Overview of items**

**Swivel adapter, plastic, for profile slots**

Order No.	B	B1	B2	H	L	L1	L2	BN=Slot width
K1630.510	88	51	14,2	40	46,1	36	10,1	8/10