

Knurled screws plastic

Item description/product images



Description

Material:

Reinforced polyamide thermoplastic, black grey.
Threaded pin 5.8 steel or stainless steel 1.4305.

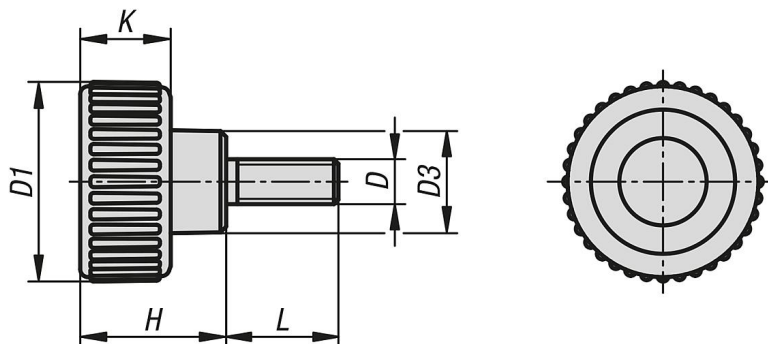
Version:

Threaded pin trivalent blue passivated steel, bright stainless steel.

Advantages:

The knurled screws can be tightened or loosened without tools.
Suitable for manual fixing and clamping.
Various thread sizes and lengths.

Drawings



Overview of items

Knurled screws plastic

| Order No. | Component material | D | D1 | D3 | H | K | L |
|----------------|--------------------|-----|----|------|----|----|----|
| K1473.1804X10 | steel | M4 | 18 | 9 | 13 | 8 | 10 |
| K1473.1804X15 | steel | M4 | 18 | 9 | 13 | 8 | 15 |
| K1473.2005X10 | steel | M5 | 20 | 10,6 | 15 | 9 | 10 |
| K1473.2005X15 | steel | M5 | 20 | 10,6 | 15 | 9 | 15 |
| K1473.2005X20 | steel | M5 | 20 | 10,6 | 15 | 9 | 20 |
| K1473.2506X10 | steel | M6 | 25 | 12 | 17 | 10 | 10 |
| K1473.2506X15 | steel | M6 | 25 | 12 | 17 | 10 | 15 |
| K1473.2506X20 | steel | M6 | 25 | 12 | 17 | 10 | 20 |
| K1473.2506X30 | steel | M6 | 25 | 12 | 17 | 10 | 30 |
| K1473.2506X40 | steel | M6 | 25 | 12 | 17 | 10 | 40 |
| K1473.3208X15 | steel | M8 | 32 | 14 | 22 | 13 | 15 |
| K1473.3208X20 | steel | M8 | 32 | 14 | 22 | 13 | 20 |
| K1473.3208X30 | steel | M8 | 32 | 14 | 22 | 13 | 30 |
| K1473.3208X40 | steel | M8 | 32 | 14 | 22 | 13 | 40 |
| K1473.4010X20 | steel | M10 | 40 | 18 | 25 | 14 | 20 |
| K1473.4010X30 | steel | M10 | 40 | 18 | 25 | 14 | 30 |
| K1473.4010X40 | steel | M10 | 40 | 18 | 25 | 14 | 40 |
| K1473.18042X10 | stainless steel | M4 | 18 | 9 | 13 | 8 | 10 |
| K1473.18042X15 | stainless steel | M4 | 18 | 9 | 13 | 8 | 15 |
| K1473.20052X10 | stainless steel | M5 | 20 | 10,6 | 15 | 9 | 10 |
| K1473.20052X15 | stainless steel | M5 | 20 | 10,6 | 15 | 9 | 15 |
| K1473.20052X20 | stainless steel | M5 | 20 | 10,6 | 15 | 9 | 20 |
| K1473.25062X10 | stainless steel | M6 | 25 | 12 | 17 | 10 | 10 |

Knurled screws plastic

Overview of items

| Order No. | Component material | D | D1 | D3 | H | K | L |
|----------------|--------------------|-----|----|----|----|----|----|
| K1473.25062X15 | stainless steel | M6 | 25 | 12 | 17 | 10 | 15 |
| K1473.25062X20 | stainless steel | M6 | 25 | 12 | 17 | 10 | 20 |
| K1473.25062X30 | stainless steel | M6 | 25 | 12 | 17 | 10 | 30 |
| K1473.25062X40 | stainless steel | M6 | 25 | 12 | 17 | 10 | 40 |
| K1473.32082X15 | stainless steel | M8 | 32 | 14 | 22 | 13 | 15 |
| K1473.32082X20 | stainless steel | M8 | 32 | 14 | 22 | 13 | 20 |
| K1473.32082X30 | stainless steel | M8 | 32 | 14 | 22 | 13 | 30 |
| K1473.32082X40 | stainless steel | M8 | 32 | 14 | 22 | 13 | 40 |
| K1473.40102X20 | stainless steel | M10 | 40 | 18 | 25 | 14 | 20 |
| K1473.40102X30 | stainless steel | M10 | 40 | 18 | 25 | 14 | 30 |
| K1473.40102X40 | stainless steel | M10 | 40 | 18 | 25 | 14 | 40 |