

Knurled knobs

Item description/product images



Description

Material:

Thermoset PF 31, black.

Screw, steel.

Tapped bush, steel or brass.

Version:

Screw, electro zinc-plated.

Tapped bush, electro zinc-plated or bright brass.

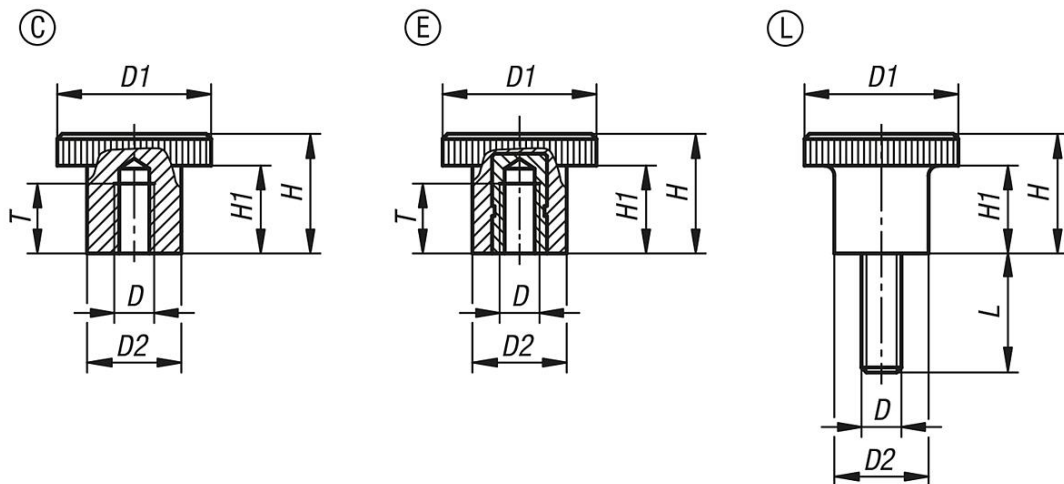
Drawing reference:

Form C: tapped blind hole

Form E: tapped bush

Form L: external thread

Drawings



Overview of items

Knurled knobs

Order No.	Form	Component material	D	D1	D2	H	H1	L	T
K1223.102206	C	plastic	M6	22	12	13	6	-	7,5
K1223.102606	C	plastic	M6	26	17	20	14	-	9
K1223.212205	E	brass	M5	22	12	13	6	-	6
K1223.202606	E	steel	M6	26	17	20	14	-	10
K1223.202608	E	steel	M8	26	17	20	14	-	12
K1223.302205X10	L	steel	M5	22	12	13	6	10	-
K1223.302205X15	L	steel	M5	22	12	13	6	15	-
K1223.302205X20	L	steel	M5	22	12	13	6	20	-
K1223.302206X10	L	steel	M6	22	12	13	6	10	-
K1223.302206X15	L	steel	M6	22	12	13	6	15	-
K1223.302206X20	L	steel	M6	22	12	13	6	20	-
K1223.302206X30	L	steel	M6	22	12	13	6	30	-
K1223.302606X10	L	steel	M6	26	15	13	6	10	-
K1223.302606X15	L	steel	M6	26	15	13	6	15	-
K1223.302606X20	L	steel	M6	26	15	13	6	20	-
K1223.302606X30	L	steel	M6	26	15	13	6	30	-
K1223.302608X15	L	steel	M8	26	15	13	6	15	-

Knurled knobs

Overview of items

Order No.	Form	Component material	D	D1	D2	H	H1	L	T
K1223.302608X20	L	steel	M8	26	15	13	6	20	-
K1223.302608X30	L	steel	M8	26	15	13	6	30	-