

## Taper grips

### Item description/product images



### Description

#### Material:

Thermoset PF 31, black.  
Steel bush and stud, electro zinc-plated.

#### Version:

High-gloss polished.

#### On request:

Other colours.

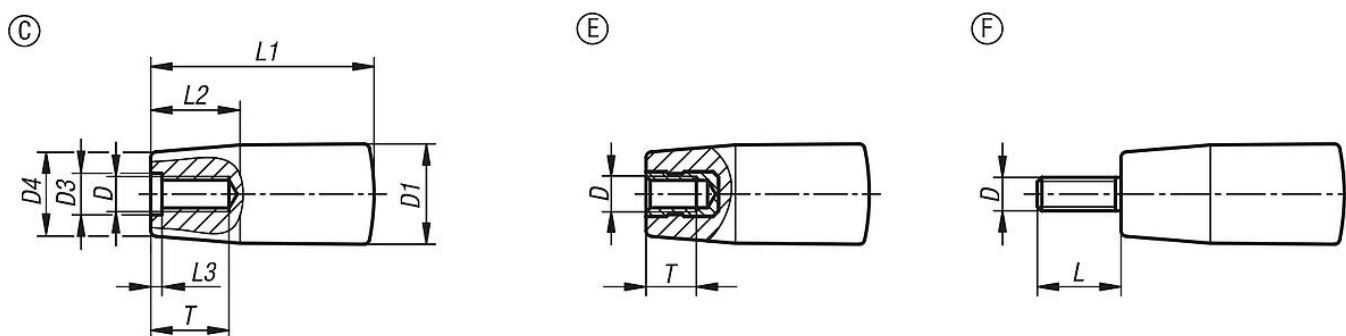
#### Drawing reference:

Form C: moulded internal thread

Form E: tapped bush

Form F: external thread

### Drawings



### Overview of items

#### Taper grips

Order No.	Form	Thread type	D	D1	D3	D4	L	L1	L2	L3	T
K1202.10618	C	internal thread	M6	18	6,2	15	-	40	16	2	14
K1202.10818	C	internal thread	M8	18	8,5	15	-	40	16	2	18
K1202.10823	C	internal thread	M8	23	8,5	19	-	65	24	2	18
K1202.11028	C	internal thread	M10	28	10,5	22	-	90	32	3,5	22
K1202.20518	E	internal thread	M5	18	-	15	-	40	16	-	7,5
K1202.20618	E	internal thread	M6	18	-	15	-	40	16	-	9
K1202.20823	E	internal thread	M8	23	-	19	-	65	24	-	12
K1202.20828	E	internal thread	M8	28	-	22	-	90	32	-	12
K1202.21028	E	internal thread	M10	28	-	22	-	90	32	-	15
K1202.30618	F	external thread	M6	18	-	15	15	40	16	-	-
K1202.30823	F	external thread	M8	23	-	19	15	65	24	-	-
K1202.31028	F	external thread	M10	28	-	22	15	90	32	-	-