

# Clamp strap, adjustable, Form B

## Item description/product images



### Description

**Material:**

Steel.

**Version:**

Tempered and electro zinc-plated.

Complete with DIN 787 screw for T-slots, DIN 6340 washer and DIN 6330B nut.

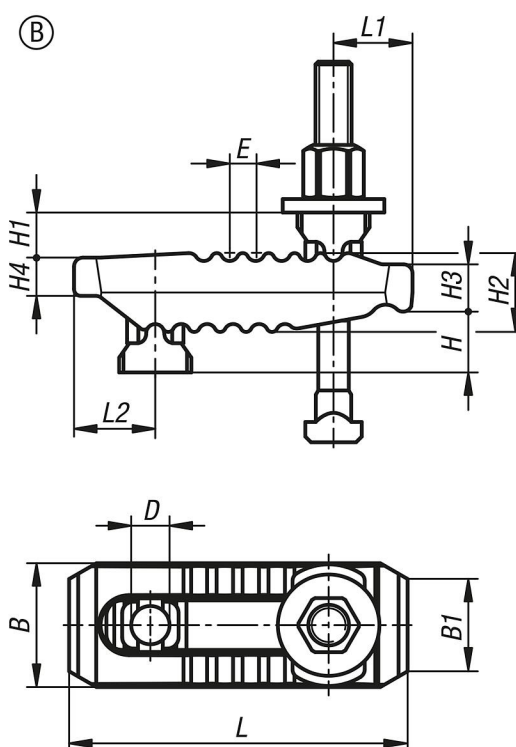
**Note:**

These clamp strap assemblies can be quickly and infinitely adapted to the clamping situation. The clamp straps have different heel types both sides enabling the best end to be selected depending on the specific application. These extremely versatile clamp straps are suitable for use by metal cutting or non-cutting machining and also for press and injection-moulding applications.

**Accessory:**

K1204 Adjustable heel supports

## Drawings



## Overview of items

Order No.	Form	Version 2	B	B1	D	E	H clamping range	H1	H2	H3	H4	L	L1	L2	Slot width	Fastening screw(s)	Clamping force kN
K1165.210115100	B	with t-slot nut	44	30	13	11	0-40	18	27	17	12	115	25	30	10	M10X100	25
K1165.212115125	B	with t-slot nut	44	30	13	11	0-55	18	27	17	12	115	25	30	12	M12X125	30
K1165.214115125	B	with t-slot nut	44	30	13	11	0-55	18	27	17	12	115	25	30	14	M12X125	30
K1165.212150160	B	with t-slot nut	55	41	17	12	0-70	20	36	21	17	150	35	36	12	M12X160	35
K1165.214150160	B	with t-slot nut	55	41	17	12	0-70	20	36	21	17	150	35	36	14	M12X160	35

## Clamp strap, adjustable, Form B

### Overview of items

Order No.	Form	Version 2	B	B1	D	E	H clamping range	H1	H2	H3	H4	L	L1	L2	Slot width	Fastening screw(s)	Clamping force kN
<b>K1165.216150160</b>	B	with t-slot nut	55	41	17	12	0-70	20	36	21	17	150	35	36	16	M16X160	40
<b>K1165.218150160</b>	B	with t-slot nut	55	41	17	12	0-70	20	36	21	17	150	35	36	18	M16X160	40
<b>K1165.216187200</b>	B	with t-slot nut	62	30	21	14	0-80	30	42	27	20	187	44	44	16	M16X200	55
<b>K1165.218187200</b>	B	with t-slot nut	62	30	21	14	0-80	30	42	27	20	187	44	44	18	M16X200	55
<b>K1165.220187200</b>	B	with t-slot nut	62	30	21	14	0-80	30	42	27	20	187	44	44	20	M20X200	60
<b>K1165.222187200</b>	B	with t-slot nut	62	30	21	14	0-80	30	42	27	20	187	44	44	22	M20X200	60
<b>K1165.220235250</b>	B	with t-slot nut	70	30	25	17	0-100	31	51	34	24	235	60	47	20	M20X250	70
<b>K1165.222235250</b>	B	with t-slot nut	70	30	25	17	0-100	31	51	34	24	235	60	47	22	M20X250	70
<b>K1165.224235250</b>	B	with t-slot nut	70	30	25	17	0-100	31	51	34	24	235	60	47	24	M24X250	75
<b>K1165.228235250</b>	B	with t-slot nut	70	30	25	17	0-100	31	51	34	24	235	60	47	28	M24X250	75