

Pull handles, aluminium with plastic grip legs

Item description/product images

19"



Description

Material:

Grip aluminium.
Legs and cap PA 6.
Screw and flange nut steel.

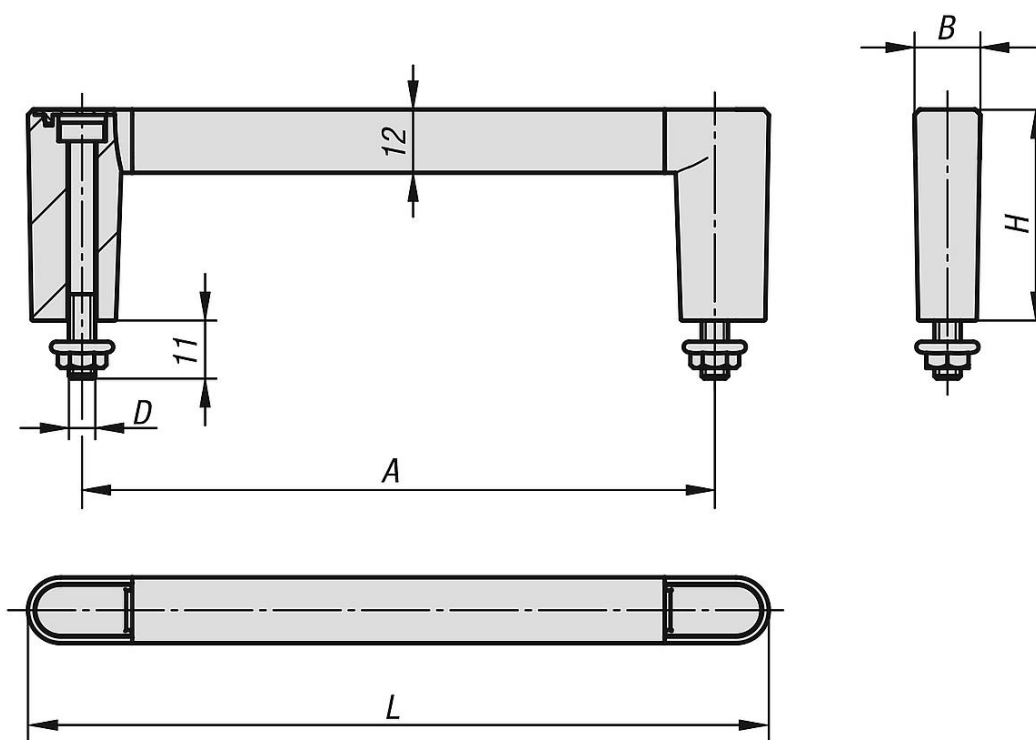
Version:

Grip natural colour or black anodised.
Screw and flange nut electro zinc-plated.

Note:

- 19"
- Closed design
- Simple assembly
- The cap is tapped on using a plastic hammer

Drawings



Overview of items

Pull handles

Order No.	Main colour	A	B	D	H	L	Load capacity N
K1127.055201	black	55	12,5	M5	40	75,5	1000
K1127.088201	black	88	12,5	M5	40	108,5	1000
K1127.100201	black	100	12,5	M5	40	120,5	1000
K1127.120201	black	120	12,5	M5	40	140,5	1000

Pull handles, aluminium with plastic grip legs

Overview of items

Order No.	Main colour	A	B	D	H	L	Load capacity N
K1127.180201	black	180	12,5	M5	40	200,5	1000
K1127.235201	black	235	12,5	M5	40	255,5	1000
K1127.055203	natural	55	12,5	M5	40	75,5	1000
K1127.088203	natural	88	12,5	M5	40	108,5	1000
K1127.100203	natural	100	12,5	M5	40	120,5	1000
K1127.120203	natural	120	12,5	M5	40	140,5	1000
K1127.180203	natural	180	12,5	M5	40	200,5	1000
K1127.235203	natural	235	12,5	M5	40	255,5	1000