

## Traction cone for internal clamping collet

### Item description/product images



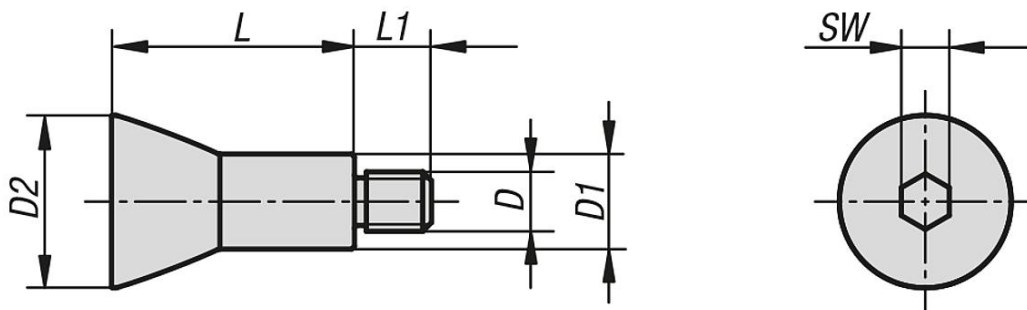
### Description

**Material:**  
Carbon steel.

**Version:**  
hardened and nickel-plated.

**Note:**  
The traction cone is required for the collet for internal clamping.

### Drawings



### Overview of items

#### Traction cone for internal clamping collet

Order No.	D	D1	D2	L	L1	SW
K1185.0829	M8	13,2	22,5	29	10	6
K1185.1035	M10	16	27	35	11	8
K1185.1041	M10	16	29	41	13	8
K1185.1247	M12	18	33	47	14	10

