

Hinges steel, maintenance-free, Form C

Item description/product images

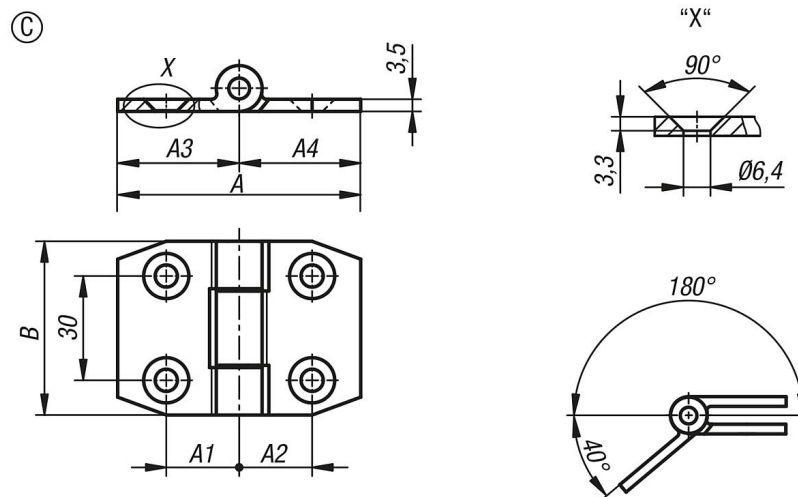


Description

Material:
Profile steel.
Bush Metaloplast.

Version:
Steel parts electro zinc-plated.

Drawings



Overview of items

| Order No. | Form | A | A1 | A2 | A3 | A4 | B |
|----------------|------|----|----|----|----|----|----|
| K1141.06353550 | C | 70 | 21 | 21 | 35 | 35 | 50 |