

Clamping screws

Item description/product images



Description

Material:

Carbon steel.

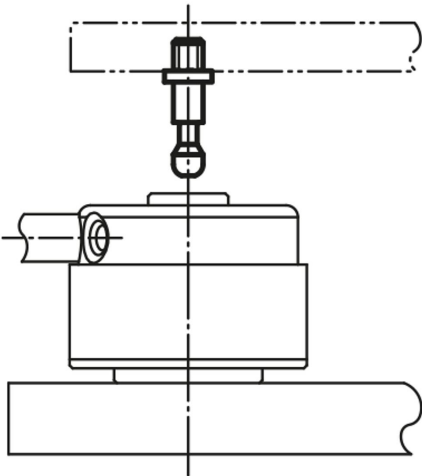
Version:

Tempered and black oxidised.

Accessory:

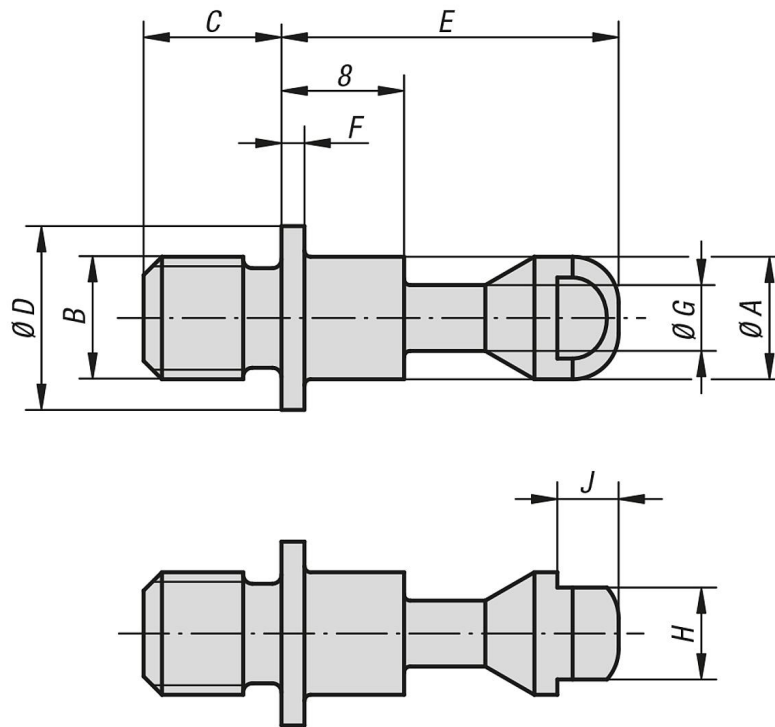
To:

K0910.3240 for K0910.105060 and K0910.106070,
K0910.4050 for K0910.108090 and K0910.110110



Clamping screws

Drawings



Overview of items

Clamping screws

Order No.	A	B	C	D	E	F	G	H	J
K0910.105060	5	M5	6	8	17	1,2	3	4	2,5
K0910.106070	5	M6	7	8	17	1,2	3	4	2,5
K0910.108090	8	M8	9	12	22	1,5	4,3	6	4
K0910.110110	8	M10	11	12	22	1,5	4,3	6	4