

Connecting blocks

Item description/product images



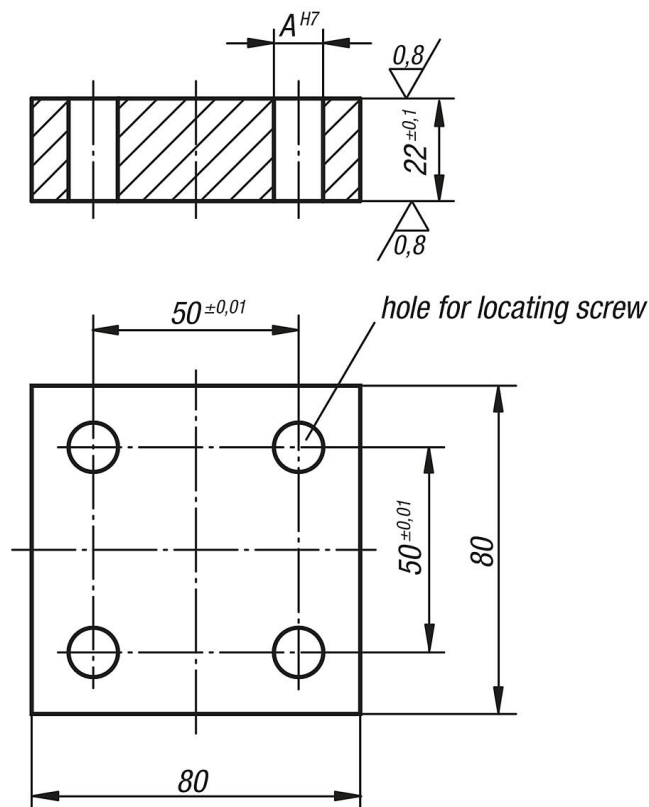
Description

Material:
Carbon steel.

Version:
Black oxidised.
Contact faces ground.

Note:
When several tooling plates K0800 are used, connecting blocks are needed to maintain the correct grid hole pitch from one plate to the next. They are secured using 4 shoulder screws K0815.1....

Drawings



Overview of items

Connecting blocks

Order No.	A	Suitable shoulder screw
K0854.40012050	12	K0815.112055
K0854.40016050	16	K0815.116065

