

Extension pieces

Item description/product images

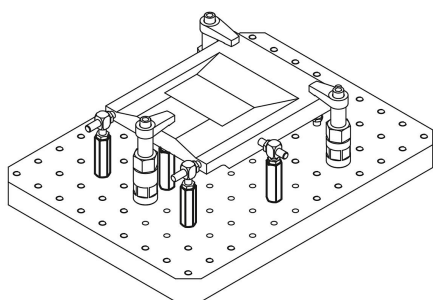


Description

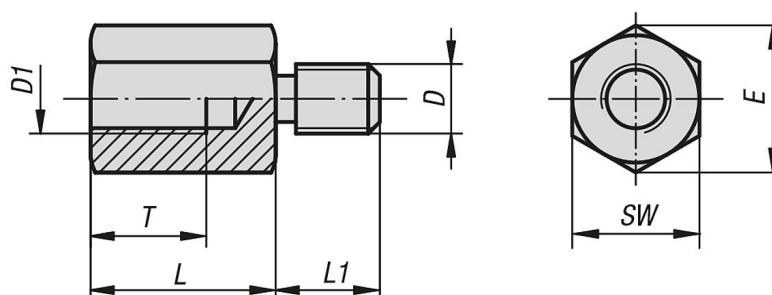
Material:
Carbon steel.

Version:
Black oxidised.

Note:
Extension pieces are used to extend self-aligning pads, spring plungers, positioning feet, rest pads etc.



Drawings



Overview of items

Extension pieces

Order No.	L	L1	T	D	D1	E	SW
K0821.08025	25	13	15	M8	M8	15	13
K0821.08032	32	13	15	M8	M8	15	13
K0821.08040	40	13	15	M8	M8	15	13
K0821.10025	25	15	17	M10	M10	19,6	17
K0821.10032	32	15	17	M10	M10	19,6	17
K0821.10040	40	15	17	M10	M10	19,6	17
K0821.10050	50	16	20	M10	M10	19,6	17
K0821.10075	75	16	20	M10	M10	19,6	17
K0821.120320	32	18	20	M12	M12	25,4	22
K0821.120500	50	18	20	M12	M12	25,4	22
K0821.120750	75	18	20	M12	M12	25,4	22
K0821.160320	32	25	20	M16	M16	31,2	27
K0821.160500	50	25	30	M16	M16	31,2	27
K0821.160750	75	25	30	M16	M16	31,2	27
K0821.108025	25	19	15	M8	M8	15	13
K0821.108032	32	19	15	M8	M8	15	13

Extension pieces

Overview of items

Order No.	L	L1	T	D	D1	E	SW
K0821.108040	40	19	15	M8	M8	15	13
K0821.112032	32	30	20	M12	M12	25,4	22
K0821.112050	50	30	20	M12	M12	25,4	22
K0821.112075	75	30	20	M12	M12	25,4	22
K0821.116032	32	30	20	M16	M16	31,2	27
K0821.116050	50	30	30	M16	M16	31,2	27
K0821.116075	75	30	30	M16	M16	31,2	27