

Fastening blocks Form M

Item description/product images



Description

Material:

Carbon steel.

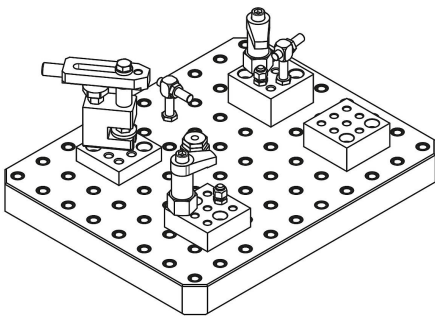
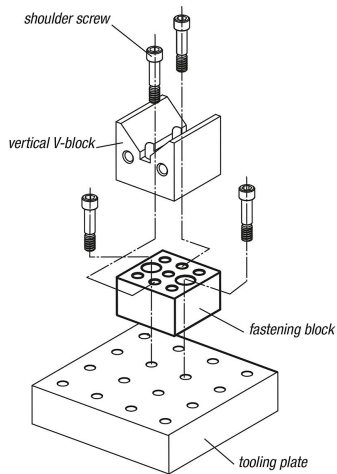
Version:

Black oxidised.

Contact faces ground.

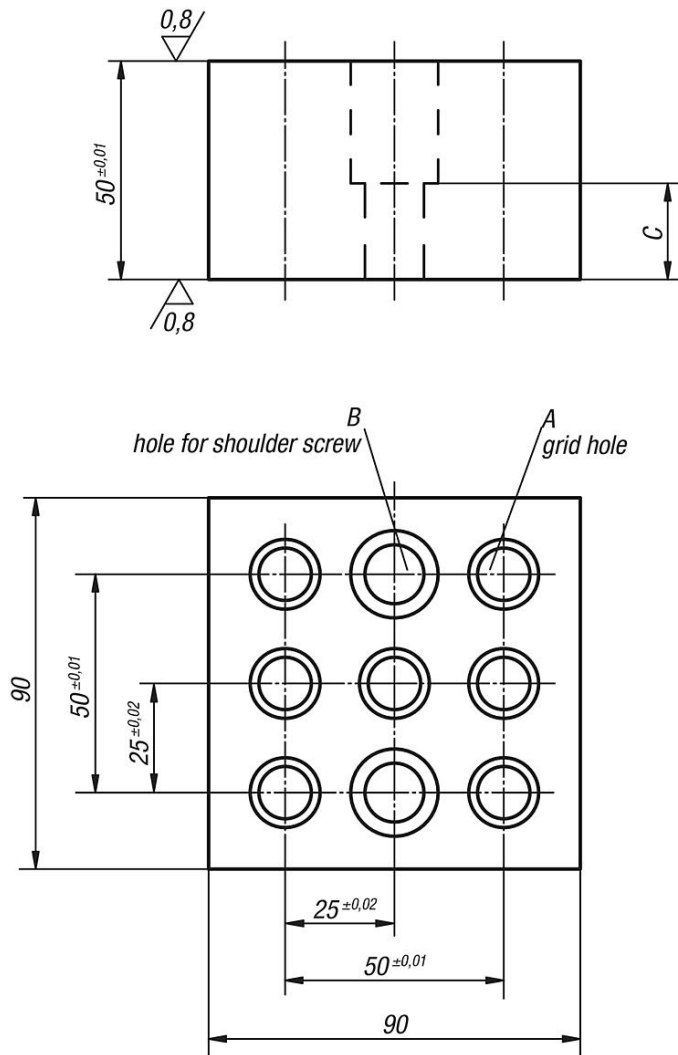
Note:

Fastening blocks are used as risers for all system elements which have no movable seating faces - these include locating supports K0816, vertical V-blocks K0819.600. They also allow positioning and fastening elements within a 50 ± 0.01 mm pitch (see application example).



Fastening blocks Form M

Drawings



Overview of items

Fastening blocks Form M

Order No.	A locating hole	A thread	B Ø for shoulder screw	C	No. of grid holes	No. of mounting holes	Suitable shoulder screw	weight kg
K0810.12112050	12 F7	M12	12 F7	22	7	2	K0815.112055	2,693
K0810.12116050	16 F7	M16	16 F7	26	7	2	K0815.116055	2,38