

Position indicators programmed

Item description/product images



for electrics

Description

Note:

The electronic position indicators offer diverse opportunities compared to mechanical position indicators because they display angles as well as uncommon spindle pitches and record each fraction of spindle movement.

* Freely programmable parameters using the programming software K0411.09.

Technical data:

- LCD Display with 5 digits
- Digit size approx. 8 mm
- Display range from -19999 ... 99999
- Hollow shaft \varnothing 14 H7 mm
- Operating temperature -10 °C to +60 °C
- Storage temperature -30 °C to +80 °C
- Revolution max. 600 rpm
- Lithium battery button cell 3V, type CR 2032. service life ca. 2 years
- Vibration-resistance acc. to DIN IEC 68-2-6 10 g / (5 ... 150 Hz), 20 g / (100 ... 2000 Hz)
- Shock-resistance acc. to DIN IEC 68-2-27 30 g / 15 ms
- EMC DIN EN 61000-4-2; DIN EN 61000-4-4
- Protection IP 51

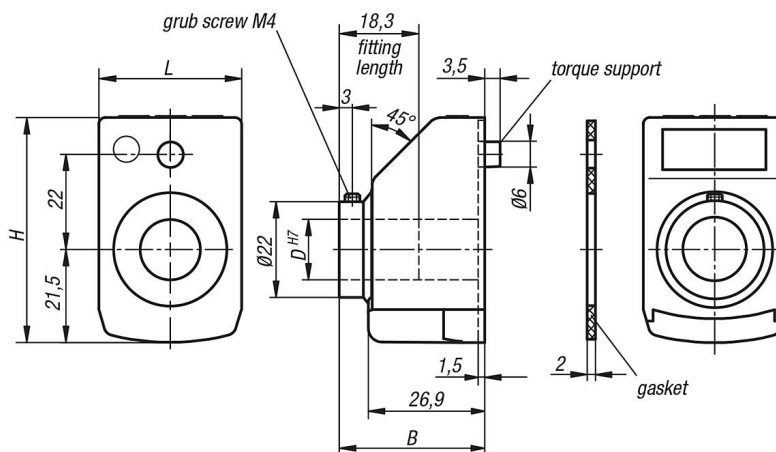
Features:

- indicated value and decimal point freely programmable
- linear or angle mode
- function key for zero-point position
- function key for switching between the absolute dimension and chain dimension
- programming of an offset value directly at the device
- easy battery change

Accessory:

- reducing bushes K0412
- programming software K0411.09

Drawings



Position indicators programmed

Drawings

Order code:

K0771.



Indicator after one rotation:

e.g.
K0771.0200021120
Please indicate here which value is to be displayed after one rotation (this is usually the spindle pitch).

Important:
Please note the decimal point position!



Angle mode:
(resolution 0.1°)
If you want the display to be in angle mode, enter 03600.

The display in angle mode is 03600 after one rotation and returns to 00000 for the next rotation.

Decimal point position:

e.g.
K0771.0200021120
Please indicate here how many decimal places you require.

- 0 = 00000
- 1 = 0000.0
- 2 = 000.00
- 3 = 00.000

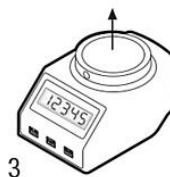


Angle mode:
If you want the display to be in angle mode, the decimal point is best put in position 1.

This means the display shows the value 0360.0 after one rotation.

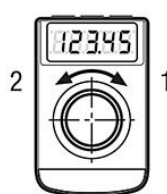
Assembly position:

e.g.
K0771.0200021120
1 = Mounting position for horizontal spindle
3 = Mounting position for vertical spindle



Count direction:

e.g.
K0771.0200021120
1 = clockwise (ascending values)
2 = anticlockwise (ascending values)



Colour:

e.g.
K0771.0200021120
1 = orange
2 = black



Zero-point position:

e.g.
K0771.0200021120
0 = directly
5 = delayed by 5 sec.



The Zero-point position can be delayed by 5 sec. by means of a parameter, in order to avoid accidental zero setting.

Overview of items

Order No.	Version 1	Version 2	B	D	H	L
K0771.	digital	programmed	33,6	14	52	33