

Ball transfer units with spring clips

Item description/product images



Description

Material:

Steel electro zinc-plated.

Note:

Ball transfer units with spring clips for easy installation and removal from the functional side. The roller is held in place with spring clips, this permits generous tolerances in the receiving hole.

They have a felt seal to protect against dirt.

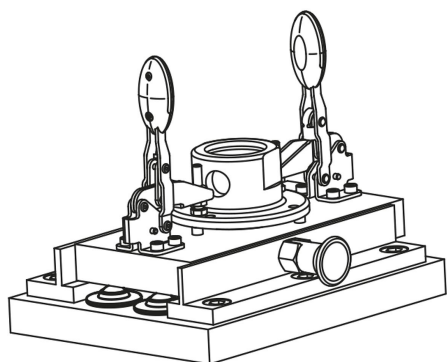
S = Minimum nominal thickness of mounting base.

Drawing reference:

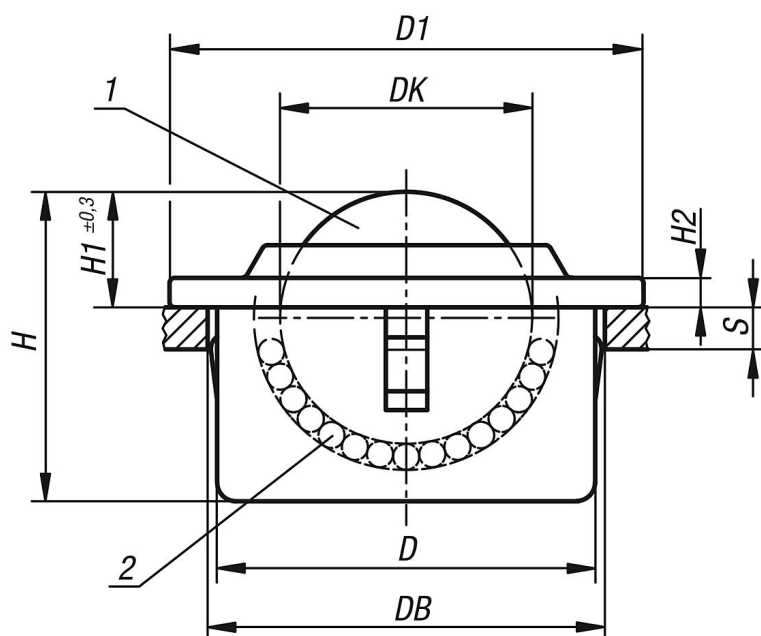
- 1) load ball
- 2) bearing balls

Form B: cap and housing electro zinc-plated, balls steel

Form C: cap and housing electro zinc-plated, balls stainless steel



Drawings



Overview of items

Ball transfer units with spring clips

Ball transfer units with spring clips

Overview of items

| Order No. | Form | DK | D | D1 | Receiver-Ø DB | H | H1 | H2 | S | Load rating C (N) |
|------------------|------|------|--------|----|------------------|----|------|-----|---|-------------------------|
| K0765.115 | B | 15,8 | 24±0,1 | 31 | 25 +0,5 | 21 | 9,5 | 2,8 | 2 | 600 |
| K0765.122 | B | 22,2 | 36±0,1 | 45 | 37 +0,5 | 30 | 9,8 | 2,8 | 3 | 1600 |
| K0765.130 | B | 30 | 45±0,1 | 55 | 46 +0,5 | 37 | 13,8 | 4 | 6 | 3000 |
| K0765.215 | C | 15,8 | 24±0,1 | 31 | 25 +0,5 | 21 | 9,5 | 2,8 | 2 | 600 |
| K0765.222 | C | 22,2 | 36±0,1 | 45 | 37 +0,5 | 30 | 9,8 | 2,8 | 3 | 1600 |
| K0765.230 | C | 30 | 45±0,1 | 55 | 46 +0,5 | 37 | 13,8 | 4 | 6 | 3000 |