

Palm grips quick-acting grey cast iron

Item description/product images



Description

Material:

Grey cast iron GJL 300

Version:

Vibratory ground.

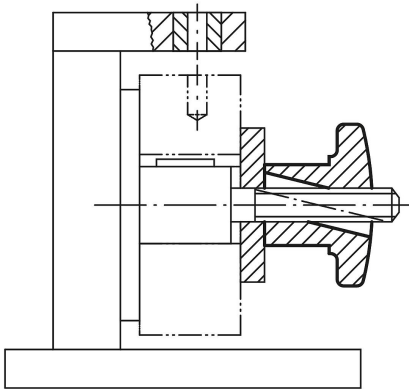
Note:

Quick-acting palm grips can be used on all fixtures that do not require a high clamping force.

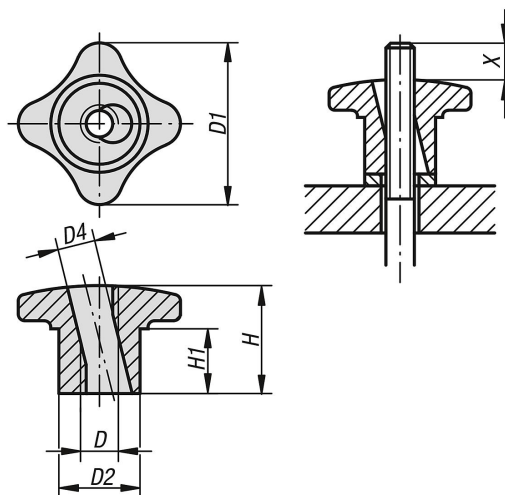
Tilt the grip to slide on, then straighten it to engage the threads.

Drawing reference:

X: The stud should be several mm longer than height "H"



Drawings



Overview of items

Palm grips quick-acting, grey cast iron

Order No.	D	D1	D2	D4	H	H1
K0683.06	M6	30	15	7	20	10
K0683.08	M8	40	18	9,4	25	14

Palm grips quick-acting grey cast iron

Overview of items

Order No.	D	D1	D2	D4	H	H1
K0683.10	M10	50	21	11,3	30	16
K0683.12	M12	60	26	13,1	35	19
K0683.14	M14	70	30	15,6	40	22
K0683.16	M16	80	34	17,6	45	25