

Ball joints DIN 71802

Item description/product images



Description

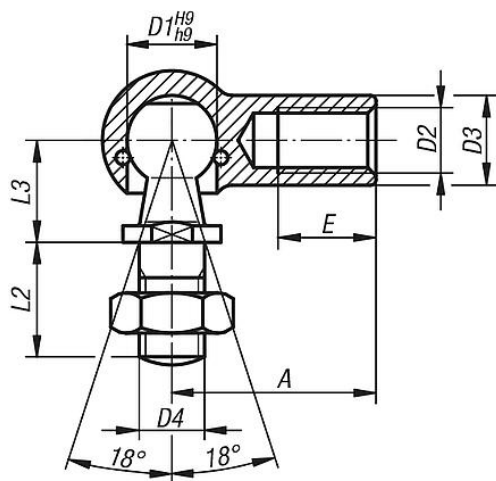
Material:
Steel or 1.4305 stainless steel.

Version:
Trivalent passivated.
Stainless steel version bright.

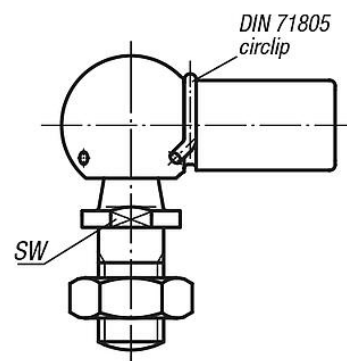
Note:
LH thread refers to dimension D2.

Drawings

Form C
without circlip



Form CS
with circlip



Overview of items

Ball joints DIN 71802

Order No.	Version 2	Form	Main material	D1	D2	D3	D4	A	L2	L3	E	SW
K0734.0805	RH thread	C	steel	8	M5	8	M5	22	10,2	9	10,2	7
K0734.1006	RH thread	C	steel	10	M6	10	M6	25	12,5	11	11,5	8
K0734.1308	RH thread	C	steel	13	M8	13	M8	30	16,5	13	14	11
K0734.1610	RH thread	C	steel	16	M10	16	M10	35	20	16	15,5	13
K0734.1612	RH thread	C	steel	16	M12	16	M12	35	20	16	15,5	13
K0734.1914	RH thread	C	steel	19	M14x1,5	22	M14x1,5	45	28	20	21,5	16
K0734.1916	RH thread	C	steel	19	M16	22	M16	45	28	20	21,5	16
K0734.080501	LH thread	C	steel	8	M5	8	M5	22	10,2	9	10,2	7
K0734.100601	LH thread	C	steel	10	M6	10	M6	25	12,5	11	11,5	8
K0734.130801	LH thread	C	steel	13	M8	13	M8	30	16,5	13	14	11
K0734.161001	LH thread	C	steel	16	M10	16	M10	35	20	16	15,5	13
K0734.161201	LH thread	C	steel	16	M12	16	M12	35	20	16	15,5	13
K0734.191401	LH thread	C	steel	19	M14x1,5	22	M14x1,5	45	28	20	21,5	16
K0734.191601	LH thread	C	steel	19	M16	22	M16	45	28	20	21,5	16
K0734.080351	RH thread	CS	steel	8	M3,5	8	M4	18	10,2	9	8	7
K0734.08051	RH thread	CS	steel	8	M5	8	M5	22	10,2	9	10,2	7
K0734.10061	RH thread	CS	steel	10	M6	10	M6	25	12,5	11	11,5	8
K0734.13081	RH thread	CS	steel	13	M8	13	M8	30	16,5	13	14	11
K0734.16101	RH thread	CS	steel	16	M10	16	M10	35	20	16	15,5	13
K0734.16121	RH thread	CS	steel	16	M12	16	M12	35	20	16	15,5	13
K0734.19141	RH thread	CS	steel	19	M14x1,5	22	M14x1,5	45	28	20	21,5	16

Ball joints DIN 71802

Overview of items

Order No.	Version 2	Form	Main material	D1	D2	D3	D4	A	L2	L3	E	SW
K0734.19161	RH thread	CS	steel	19	M16	22	M16	45	28	20	21,5	16
K0734.080511	LH thread	CS	steel	8	M5	8	M5	22	10,2	9	10,2	7
K0734.100611	LH thread	CS	steel	10	M6	10	M6	25	12,5	11	11,5	8
K0734.130811	LH thread	CS	steel	13	M8	13	M8	30	16,5	13	14	11
K0734.161011	LH thread	CS	steel	16	M10	16	M10	35	20	16	15,5	13
K0734.161211	LH thread	CS	steel	16	M12	16	M12	35	20	16	15,5	13
K0734.191411	LH thread	CS	steel	19	M14x1,5	22	M14x1,5	45	28	20	21,5	16
K0734.191611	LH thread	CS	steel	19	M16	22	M16	45	28	20	21,5	16
K0734.08052	RH thread	CS	stainless steel	8	M5	8	M5	22	10,2	9	10,2	7
K0734.10062	RH thread	CS	stainless steel	10	M6	10	M6	25	12,5	11	11,5	8
K0734.13082	RH thread	CS	stainless steel	13	M8	13	M8	30	16,5	13	14	11
K0734.16102	RH thread	CS	stainless steel	16	M10	16	M10	35	20	16	15,5	13
K0734.16122	RH thread	CS	stainless steel	16	M12	16	M12	35	20	16	15,5	13
K0734.080521	LH thread	CS	stainless steel	8	M5	8	M5	22	10,2	9	10,2	7
K0734.100621	LH thread	CS	stainless steel	10	M6	10	M6	25	12,5	11	11,5	8
K0734.130821	LH thread	CS	stainless steel	13	M8	13	M8	30	16,5	13	14	11
K0734.161021	LH thread	CS	stainless steel	16	M10	16	M10	35	20	16	15,5	13
K0734.161221	LH thread	CS	stainless steel	16	M12	16	M12	35	20	16	15,5	13