

Round inserts, Form C

Item description/product images



Description

Material, version:

Form C tool steel, hardened, black oxide.

Note:

Grippers and inserts are ideal for use in clamping arms, gripping systems, clamping fixtures, clamping jaws and self-aligning pads. Grippers transfer very high torque values and above average holding forces, even on hard materials and surface irregularities.

Grippers and inserts can be fitted in the following self-aligning pads:

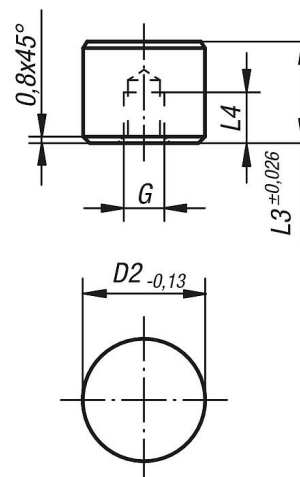
Order No. K0285.117X022 up to K0285.936X036

Order No. K0289.110X015 up to K0289.924X100

Order No. K0291.120X030 up to K0291.924X080

Drawings

Form C
steel insert, flat face



Overview of items

Order No.	Form	D2	L3	L4	G
K0385.10108	C	10	10	5	M5
K0385.10128	C	10	12	6,4	M5
K0385.12108	C	12	10	5	M5
K0385.12128	C	12	12	6,4	M5
K0385.16108	C	16	10	5	M6
K0385.16128	C	16	12	6,4	M6
K0385.20108	C	20	10	5	M6
K0385.20128	C	20	12	6,4	M6
K0385.25108	C	25	10	5	M6
K0385.25128	C	25	12	6,4	M6